
20 22

HOUE

Price list
Technical specifications

Recommended retail prices
All rights reserved



02

TERMS & POLICIES



RECOMMENDED RETAIL PRICES IN USD

All prices shown are per single item unless indicated otherwise.

The new prices are valid from October 1st 2021. We reserve the right to make changes in the pricelist. We also reserve the right to add a surcharge per item/line due to increased shipping prices.

AVAILABILITY

QS QUICKSHIP COLLECTION
High inventory held in stock.
Dispatch within 10-14 working days

ST STANDARD COLLECTION
Lower inventory or stock in Denmark.
Delivery times of up to 10-12 weeks may occur.

DELIVERY / DROPSHIP PROGRAM

Delivery charges vary by country.

USA
Free delivery on orders above 2,000 USD.
Orders below will have a handling fee of 200 USD.
Orders that can be shipped as parcel will be added a charge of 100 USD.

Liftgate fee will be added if needed for delivery. Both for orders above and below 2,000 USD.

DROPSHIPMENTS:*
Dropshipments will have a fee of 10% of the total order amount.
Orders under 2,000 USD will have handling fee + liftgate fee added if needed for delivery.

CANADA
Free delivery on orders above 2,000 USD.
Anything below this amount will be charged a handling fee of 200 USD.
Dropshipping not available. All deliveries DAP.

All other countries
Shipments conducted on an Ex-Warehouse basis.

SETTLEMENT TERMS

Invoices must be paid in full within 30 days net of the invoice date.

CONDITIONS OF SALE

All prices are subject to our standard conditions of tender and sale, a copy of which will be forwarded on request.

All orders are accepted subject to being charged at the prices valid at the date of dispatch.

SPECIFICATIONS

We reserve the right to change specifications and descriptions based on technical developments and the availability of materials.

WARRANTY

HOUE offers a two year warranty on all products, both residential and commercial. All maintenance instructions must be followed to obtain warranty.

RETURNS POLICY

Written authorisation must be obtained from HOUE prior to returning any products. Products returned without prior written authorisation will be refused. HOUE only accepts the return of a product if it has a manufacturing defect.

Returned products are inspected by our Quality Control Manager and replaced or repaired if the damage is a result of a manufacturing defect. If it is determined not to be a manufacturing defect, the customer, along with the Quality Control Manager will decide what further actions to take.

Returned goods will only be accepted if returned in their original packaging.

MAP POLICIES

MAP pricing for all HOUE products can be found on your current price list. All advertised prices must be at or above MAP for all HOUE products if a MAP price has been established by HOUE. Resellers are not required to list prices in advertising. If a price is listed in an advertisement it must be equal to or above MAP. Other statements such as "call for price" or "call for quote" are acceptable and permitted.

Resellers are also responsible for ensuring their Mount pricing is at or above MAP on internet search engines.

Resellers are free to set the actual resale price of any product as long as it is at or above MAP price according to the most recent publication of the price list. HOUE's MAP policy for all HOUE products applies to advertising placements, including but not limited to:

Print ads (inserts, magazines, newspapers, catalogues, mail order etc) direct mail, faxes, internet placement with third parties (banner ads, broadcast emails, destination pages, third-party sites), internet placements on resellers' own websites and any flyers, posters or coupons.

All HOUE resellers are required to sign a MAP policy agreement.

Any, and all dealers selling HOUE products which have not signed an HOUE MAP policy agreement are classified as Unauthorized resellers

SRP = Suggested retail price
MAP = Minimum advertised price

04

INDEX

OUTDOOR
DINING & LOUNGE

06

ABOUT HOUE

08

CLICK

12

ReCLIPS

16

PAON

20

NAMI

24

TABLES

30

TRAY TABLES

36

LEVEL

40

AVON

44

MOLO

48

EXTRAS

54

TECH SPEC

06

HOUE ApS
Rodelundvej 4A · 8680 Ry · Denmark

info@houe.com

**we are driven by
affordable luxury as
a philosophy**



HOUE is a Danish design house founded in 2007. We combine great comfort and design in our work. Therefore, we always put a lot of effort into our product development striving to meet a high standard.

Our products are manufactured only on well established factories with whom we have worked closely for several years. Our products are not random mass production – every detail, joint or component in our furniture is thoroughly selected or invented by our experienced HOUE team to make a unique product.

We are driven by affordable luxury as a philosophy, by choosing the right materials and solutions. We draw from a proud heritage of Scandinavian design and craftsmanship with mass appeal.

HOUE offers both an outdoor and indoor collection, always meeting our high standards in terms of design, price, and quality.

08

Designed by HENRIK PEDERSEN

CLICK

OUTDOOR
DINING & LOUNGE

A collection of outdoor chairs made of intelligently designed plastic lamellas combined with powder coated steel and beautiful bamboo parts. The components are carefully composed to give the lamellas exactly the right strength and resilience to provide excellent cushion free seating.

The lamellas come in many different colors and can be clicked on and off to modify the look of the chair – simply by changing or mixing the colors.



10

CLICK

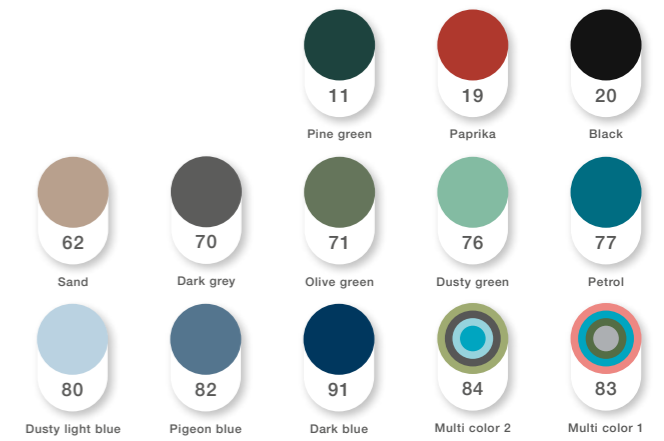
OUTDOOR DINING & LOUNGE

DESCRIPTION

Powder coated grey steel frame
Plastic lamellas
Bamboo armrests and runners

xx = lamellas color code

COLORS



CLICK QS 10801-XX18

Type Dining chair
Armrests Bamboo
Lamella Ø10

Dining chair

SRP in USD \$328

MAP in USD \$312



CLICK ST 10814-XX18

Type Dining chair no armrests
Armrests N/A
Lamella Ø12

Dining chair no armrests

SRP in USD \$314

MAP in USD \$298



CLICK QS 10812-XX18

Type Dining chair tall back
Armrests Bamboo
Lamella Ø10

Dining chair tall back

SRP in USD \$359

MAP in USD \$341



CLICK QS 10813-XX18

Type Footrest
Armrests N/A
Lamella Ø10

Footrest

SRP in USD \$239

MAP in USD \$227



CLICK ST 10805-XX18

Type Sunrocker
Armrests Bamboo
Lamella Ø12
Positions 2

Sunrocker

SRP in USD \$659

MAP in USD \$626



CLICK QS 10810-XX18

Type Sunlounger
Armrests Bamboo
Lamella Ø12
Positions 7

Sunlounger

SRP in USD \$778

MAP in USD \$739



CLICK QS 10803-XX18

Type Position chair
Armrests Bamboo
Lamella Ø10
Positions 7

Position chair

SRP in USD \$584

MAP in USD \$555



CLICK QS 10811-XX18

Type Lounge chair
Armrests Bamboo
Lamella Ø12

Lounge chair

SRP in USD \$568

MAP in USD \$539



CLICK QS 10804-XX18

Type Rocking chair
Armrests and runners Bamboo
Lamella Ø12

Rocking chair

SRP in USD \$659

MAP in USD \$626

12

MyTrash
RECLIPS

OUTDOOR
DINING & LOUNGE



ReCLIPS is a collection of chairs with wide lamellas clipped on a powder coated aluminum frame.

The lamellas are made from Danish household plastic trash and produced in Denmark. The technology behind reusing plastic household trash for furniture production is developed in Denmark. With ReCLIPS you are basically looking at the result of mixing Danish design and Danish innovation and converting this new thinking and material into a chair.

ReCLIPS Dining, Rocking and Lounge chair come in 4 mono colors, with the choice of aluminum or bamboo armrests. The Bar stool is available in black. The aluminum frame combined with the UV protected plastic lamellas keep the maintenance to a minimum.

Designed by HENRIK PEDERSEN

HOUE



14

MyTrash RECLIPS

OUTDOOR DINING & LOUNGE










DESCRIPTION

Lamellas made from recycled household plastic trash
Powder coated aluminum frame

Bamboo or powder coated aluminum armrests

xx = color code

COLORS

Monocolor	 1414	 2024	 2727	 7026
Armrests	 14 Sky blue	 20 Black	 27 Olive green	 70 Dark grey
Optional armrests	 03 Bamboo			



RECLIPS QS 22302-XXXX-XX

Type Dining chair
Armrests Powder coated aluminum

Dining chair

SRP in USD \$389

MAP in USD \$370

RECLIPS QS 22302-XXXX-03

Type Dining chair
Armrests Bamboo

Dining chair

SRP in USD \$389

MAP in USD \$370

RECLIPS ST 22307-2024

Type Bar stool
Armrests N/A

Bar stool

SRP in USD \$409

MAP in USD \$389



RECLIPS QS 22303-XXXX-XX

Type Rocking chair
Armrests Powder coated aluminum

Rocking chair

SRP in USD \$819

MAP in USD \$778

RECLIPS QS 22303-XXXX-03

Type Rocking chair
Armrests Bamboo

Rocking chair

SRP in USD \$819

MAP in USD \$778

RECLIPS ST 22306-XXXX-XX

Type Lounge chair
Armrests Powder coated aluminum

Lounge chair

SRP in USD \$659

MAP in USD \$625



RECLIPS 22306-XXXX-03

Type Lounge chair
Armrests Bamboo

Lounge chair

SRP in USD \$659

MAP in USD \$625

RECLIPS 22308-XXXX

Type Footrest
Armrests N/A

Footrest

SRP in USD \$312

MAP in USD \$296

16

PAON

OUTDOOR DINING & LOUNGE



A collection of chairs in powder coated steel combined with beautiful bamboo lamellas.

PAON is French for Peacock and this bird is the inspiration behind the design of the PAON chairs – take a look at the back and you will notice.

PAON is light Scandinavian in its design with a touch of French Victorian romance. All PAON chairs are blessed with a seating comfort you would not expect from a metal chair.

Designed by HENRIK PEDERSEN

HOUE



18

PAON

OUTDOOR
DINING & LOUNGE



DESCRIPTION

COLORS

Powder coated steel frame
Bamboo seat and runners

xx = color code



PAON **QS** 12801-03XX

Type Dining chair
Seat Bamboo

Dining chair

SRP in USD \$328

MAP in USD \$312



PAON **QS** 12802-03XX

Type Lounge chair
Seat Bamboo

Lounge chair

SRP in USD \$523

MAP in USD \$497



PAON **QS** 12803-03XX

Type Rocking chair
Seat +andrunners Bamboo

Rocking chair

SRP in USD \$598

MAP in USD \$568



PAON **QS** 12804-03XX

Type Bench
Seat Bamboo

Bench

SRP in USD \$748

MAP in USD \$711



PAON **QS** 12805-03XX

Type Bar stool
Seat Bamboo

Bar stool

SRP in USD \$373

MAP in USD \$354

20

MyTrash
NAMI

OUTDOOR
DINING



The shell is made from Danish household plastic trash and the chair is produced in Denmark. The elegant curve in the shell is designed to resemble a wave washing over a beach. NAMI means wave and emphasizes the organic expression found in this elegant garden chair.

The design is based on the forces and lines of nature and finds its natural place outdoors exposed to wind and weather.

Designed by HANS THYGE & CO



MyTrash
NAMI

OUTDOOR
DINING

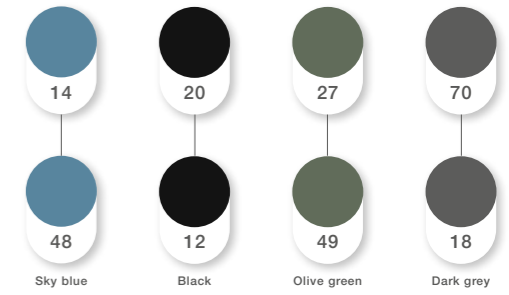


DESCRIPTION

Seat made from household plastic trash
Powder coated steel frame

COLORS

Monocolor



NAMI (ST) 23814-1448

Type: Dining chair
Color: Sky blue

Dining chair

SRP in USD \$298

MAP in USD \$283



NAMI (ST) 23814-2012

Type: Dining chair
Color: Black

Dining chair

SRP in USD \$298

MAP in USD \$283



NAMI (ST) 23814-2749

Type: Dining chair
Color: Olive green

Dining chair

SRP in USD \$298

MAP in USD \$283



NAMI (ST) 23814-7018

Type: Dining chair
Color: Dark grey

Dining chair

SRP in USD \$298

MAP in USD \$283

24



Designed by HENRIK PEDERSEN

NAMI table designed by HANS THYGE & CO

TABLES

OUTDOOR DINING

Combinations of powder coated steel or aluminum, bamboo and black granite create a collection of well designed outdoor dining tables which all complement HOUE dining chairs perfectly, enabling beautiful settings in the garden.

In the design process, a lot of effort is put into form and shape to make tables, that not only please the eye, but also give optimal stability and functionality.



26

TABLES

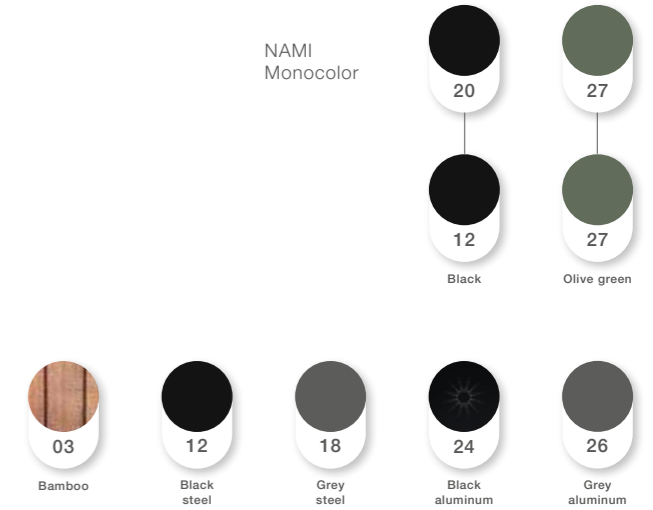
OUTDOOR DINING

DESCRIPTION

Powder coated grey or black steel or aluminum construction
 Bamboo, aluminum or recycled household plastic trash table top
 Granite
 xx = color code

NAMI Monocolor

COLORS



CIRCLE QS 11005-0326

Type Dining table, seats up to 6 persons
 Size Ø110 cm // 43,3 in
 Frame Powder coated grey aluminum
 Table top Bamboo with granite center stone

Dining table

SRP in USD **\$1,198**

MAP in USD **\$1,138**



CIRCLE QS 11006-0326

Type Dining table, seats up to 8 persons
 Size Ø150 cm // 59,1 in
 Frame Powder coated grey aluminum
 Table top Bamboo with granite center stone

Dining table

SRP in USD **\$1,498**

MAP in USD **\$1,423**



LEAF QS 11601-0318

Type Dining table, seats up to 9 persons
 Size 146x146 cm // 57,5x57,5 in
 Frame Powder coated grey steel
 Table top Bamboo

Dining table

SRP in USD **\$1,273**

MAP in USD **\$1,209**



SKETCH QS 10705-0318

Type Dining table, seats up to 6 persons
 Size 160x88 cm // 63x34,6 in
 Frame Powder coated grey steel
 Table top Bamboo

Dining table

SRP in USD **\$1,094**

MAP in USD **\$1,039**



SKETCH QS 10716-0318

Type Dining table, seats up to 8 persons
 Size 220x88 cm // 86,6x34,6 in
 Frame Powder coated grey steel
 Table top Bamboo

Dining table

SRP in USD **\$1,439**

MAP in USD **\$1,367**



NAMI ST 23850-XXXX

Type Café table
 Size Ø64 cm // 25,2 in
 Frame Powder coated steel
 Table top Plastic made of household plastic trash

Café table

SRP in USD **\$298**

MAP in USD **\$283**



CIRCUM QS 12831-0312

Type Café table
 Size Ø73 cm // 28,9 in
 Frame Powder coated black steel
 Table top Bamboo

Café table

SRP in USD **\$673**

MAP in USD **\$639**



CIRCUM QS 12831-2412

Type Café table
 Size Ø74 cm // 29,1 in
 Frame Powder coated black steel
 Table top Powder coated black aluminum

Café table

SRP in USD **\$673**

MAP in USD **\$639**



FOUR QS 12401-0326

Type Dining table, seats up to 4 persons
 Size 90x90 cm // 35,4x35,4 in
 Frame Powder coated grey aluminum
 Table top Bamboo

Dining table

SRP in USD **\$1,400**

MAP in USD **\$1,330**



FOUR QS 12402-0326

Type Dining table, seats up to 6 persons
 Size 160x90 cm // 63x35,4 in
 Frame Powder coated grey aluminum
 Table top Bamboo

Dining table

SRP in USD **\$1,814**

MAP in USD **\$1,724**



FOUR QS 12403-0326

Type Dining table, seats up to 8 persons
 Size 210x90 cm // 82,7x35,4 in
 Frame Powder coated grey aluminum
 Table top Bamboo

Dining table

SRP in USD **\$2,144**

MAP in USD **\$2,037**



FOUR QS 12404-0326

Type Dining table, seats up to 10 persons
 Size 270x90 cm // 106,3x35,4 in
 Frame Powder coated grey aluminum
 Table top Bamboo

Dining table

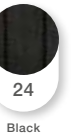
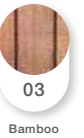
SRP in USD **\$2,737**

MAP in USD **\$2,600**

TABLES

OUTDOOR DINING

Powder coated black aluminum construction
Bamboo or aluminum table top



FOUR **QS** 12401-0324

Type Dining table, seats up to 4 persons
Size 90x90 cm // 35,4x35,4 in
Frame Powder coated black aluminum
Table top Bamboo

Dining table

SRP in USD **\$1,400**

MAP in USD **\$1,330**



FOUR **QS** 12402-0324

Type Dining table, seats up to 6 persons
Size 160x90 cm // 63x35,4 in
Frame Powder coated black aluminum
Table top Bamboo

Dining table

SRP in USD **\$1,814**

MAP in USD **\$1,724**



FOUR **QS** 12403-0324

Type Dining table, seats up to 8 persons
Size 210x90 cm // 82,7x35,4 in
Frame Powder coated black aluminum
Table top Bamboo

Dining table

SRP in USD **\$2,144**

MAP in USD **\$2,037**



FOUR **QS** 12404-0324

Type Dining table, seats up to 10 persons
Size 270x90 cm // 106,3x35,4 in
Frame Powder coated black aluminum
Table top Bamboo

Dining table

SRP in USD **\$2,737**

MAP in USD **\$2,600**



FOUR **QS** 12401-2424

Type Dining table, seats up to 4 persons
Size 90x90 cm // 35,4x35,4 in
Frame Powder coated black aluminum
Table top Powder coated black aluminum

Dining table

SRP in USD **\$1,318**

MAP in USD **\$1,252**



FOUR **QS** 12402-2424

Type Dining table, seats up to 6 persons
Size 160x90 cm // 63x35,4 in
Frame Powder coated black aluminum
Table top Powder coated black aluminum

Dining table

SRP in USD **\$1,748**

MAP in USD **\$1,660**



FOUR **QS** 12403-2424

Type Dining table, seats up to 8 persons
Size 210x90 cm // 82,7x35,4 in
Frame Powder coated black aluminum
Table top Powder coated black aluminum

Dining table

SRP in USD **\$2,077**

MAP in USD **\$1,974**



FOUR **QS** 12404-2424

Type Dining table, seats up to 10 persons
Size 270x90 cm // 106,3x35,4 in
Frame Powder coated black aluminum
Table top Powder coated black aluminum

Dining table

SRP in USD **\$2,639**

MAP in USD **\$2,507**



FOUR **QS** 12424-0324

Type Bar table, fits ReCLIPS and PAON bar stools
Size 90x90 cm // 35,4x35,4 in
Frame Powder coated black aluminum
Table top Bamboo

Bar table

SRP in USD **\$1,781**

MAP in USD **\$1,692**



FOUR **QS** 12425-0324

Type Bar table, fits ReCLIPS and PAON bar stools
Size 160x90 cm // 63x35,4 in
Frame Powder coated black aluminum
Table top Bamboo

Bar table

SRP in USD **\$2,193**

MAP in USD **\$2,084**



FOUR **QS** 12424-2424

Type Bar table, fits ReCLIPS and PAON bar stools
Size 90x90 cm // 35,4x35,4 in
Frame Powder coated black aluminum
Table top Powder coated black aluminum

Bar table

SRP in USD **\$1,698**

MAP in USD **\$1,614**



FOUR **QS** 12425-2424

Type Bar table, fits ReCLIPS and PAON bar stools
Size 160x90 cm // 63x35,4 in
Frame Powder coated black aluminum
Table top Powder coated black aluminum

Bar table

SRP in USD **\$2,126**

MAP in USD **\$2,020**

30



Designed by HENRIK PEDERSEN and ROEE MAGDASSI

TRAY TABLES

OUTDOOR &
INDOOR LOUNGE

The tray tables can be used in many different ways – individually, as a side table, or in combination with different sizes and colors. Both EYELET and EDGE are easy to move to where they are needed – indoor as well as outdoor.

EYELET is made from powder coated aluminum and steel and EDGE from powder coated steel.



TRAY TABLES

OUTDOOR &
INDOOR LOUNGE



DESCRIPTION

COLORS

Powder coated steel

EDGE is designed by Roee Magdassi

The half ring shaped handle makes it easy to move the table between the living room and the garden, and when laid down it functions as a table edge, making sure everything stays in place.

xx = color code



EDGE **QS 10911-XXXX**

Type Tray table
Size Ø46/H50 cm // Ø18,1/H19,7 in
Frame Powder coated steel
Table top Powder coated steel

Tray table

SRP in USD **\$239**

MAP in USD **\$227**



EDGE **QS 10912-XXXX**

Type Tray table
Size Ø62/H43,1 cm // Ø24,3/H17 in
Frame Powder coated steel
Table top Powder coated steel

Tray table

SRP in USD **\$359**

MAP in USD **\$341**



EDGE **QS 10913-XXXX**

Type Tray table
Size Ø76/H37 cm // Ø29,8/H14,6 in
Frame Powder coated steel
Table top Powder coated steel

Tray table

SRP in USD **\$523**

MAP in USD **\$497**

TRAY TABLES

OUTDOOR &
INDOOR LOUNGE

DESCRIPTION

COLORS

Powder coated steel and aluminum

EYELET is designed by Henrik Pedersen

The EYELET tray table has a special drain system, which keeps the tray free from water after a rain shower.

xx = color code



EYELET

QS 10901-XXXX

Type Tray table
Size Ø45/H47 cm // Ø17,7/H18,3 in
Frame Powder coated steel
Table top Aluminum

Tray table

SRP in USD \$179

MAP in USD \$170



EYELET

QS 10902-XXXX

Type Tray table
Size Ø58/H41 cm // Ø22,7/H16,1 in
Frame Powder coated steel
Table top Aluminum

Tray table

SRP in USD \$268

MAP in USD \$254



EYELET

QS 10903-XXXX

Type Tray table
Size Ø70/H35 cm // Ø27,6/H13,8 in
Frame Powder coated steel
Table top Aluminum

Tray table

SRP in USD \$389

MAP in USD \$370

36



Designed by HENRIK PEDERSEN

LEVEL

OUTDOOR LOUNGE

A collection of modular outdoor lounge furniture with powder coated aluminum frame, cushions in water repellent fabric and bamboo side tables. The lightweight frame combined with the soft cushions create both contrast and comfort.

The modules can be combined in many different ways and will entice you into a relaxed atmosphere.



38

LEVEL

OUTDOOR LOUNGE



DESCRIPTION

COLORS

Powder coated grey aluminum frame

Cushions in basic dark grey fabric or Sunbrella fabric in different colors. Sunbrella Heritage fabric contains 50% recycled Sunbrella acrylic, 47% Sunbrella acrylic and 3% polyester.

xx = fabric color code



LEVEL QS 12201-XX51

Type Right corner sofa
Cushions Basic // Sunbrella fabric
Frame Powder coated grey aluminum

Basic	SRP in USD - \$2,309	MAP in USD - \$2,194
Natté	SRP in USD - \$2,474	MAP in USD - \$2,350
Heritage	SRP in USD - \$2,639	MAP in USD - \$2,507



LEVEL QS 12202-XX51

Type Left corner sofa
Cushions Basic // Sunbrella fabric
Frame Powder coated grey aluminum

Basic	SRP in USD - \$2,309	MAP in USD - \$2,194
Natté	SRP in USD - \$2,474	MAP in USD - \$2,350
Heritage	SRP in USD - \$2,639	MAP in USD - \$2,507



LEVEL QS 12205-XX51

Type Lounge chair
Cushions Basic // Sunbrella fabric
Frame Powder coated grey aluminum

Basic	SRP in USD - \$1,946	MAP in USD - \$1,849
Natté	SRP in USD - \$2,077	MAP in USD - \$1,974
Heritage	SRP in USD - \$2,209	MAP in USD - \$2,098



LEVEL QS 12203-XX51

Type Ottoman
Cushions Basic // Sunbrella fabric
Frame Powder coated grey aluminum

Basic	SRP in USD - \$791	MAP in USD - \$752
Natté	SRP in USD - \$874	MAP in USD - \$830
Heritage	SRP in USD - \$956	MAP in USD - \$908



LEVEL QS 12204-0351

Type Coffee table
Size 81x81 cm // 31,9x31,9 in
Table top Bamboo
Frame Powder coated grey aluminum

Coffee table	SRP in USD	\$774
	MAP in USD	\$735



LEVEL QS 12206-0351

Type Side table
Size 40,5x81 cm // 15,9x31,9 in
Table top Bamboo
Frame Powder coated grey aluminum

Side table	SRP in USD	\$658
	MAP in USD	\$625

40



Designed by HENRIK PEDERSEN

AVON

OUTDOOR LOUNGE

The AVON collection was designed with focus on creating a lounge collection with a very light appearance and a low sleek profile, while maintaining a high level of comfort. The simplicity of the frame, where low lines ensure, that the design always appears stylish, with and without cushions – summer or winter.

The handle of the cushions is a statement. It also adds to the function of the product, making them easy to grab and store if needed.



42

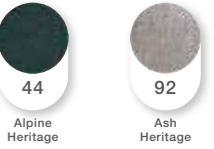
AVON

OUTDOOR LOUNGE

DESCRIPTION

COLORS

Powder coated black steel frame
 Cushions in Sunbrella Heritage fabric in different colors.
 Heritage fabric contains 50% recycled Sunbrella acrylic,
 47% Sunbrella acrylic and 3% polyester.
 Table top in thermo ash FSC® – FSC C153404
 xx = fabric color code



AVON **QS 14207-XX12**
 Type 2 seater lounge sofa
 Cushions Sunbrella fabric
 Frame Powder coated black steel

2 seater lounge sofa
 SRP in USD **\$2,969**
 MAP in USD **\$2,820**



AVON **QS 14205-XX12**
 Type Lounge chair
 Cushions Sunbrella fabric
 Frame Powder coated black steel

Lounge chair
 SRP in USD **\$2,144**
 MAP in USD **\$2,037**



AVON **QS 14208-XX12**
 Type Ottoman
 Cushions Sunbrella fabric
 Frame Powder coated black steel

Ottoman
 SRP in USD **\$1,088**
 MAP in USD **\$1,033**



AVON **QS 14208-1512**
 Type Lounge table
 Table top Thermo ash FSC® – FSC C153404
 Frame Powder coated black steel

Lounge table
 SRP in USD **\$1,088**
 MAP in USD **\$1,033**



AVON **QS 14208-0012**
 Type Base for ottoman/table
 Frame Powder coated black steel

Base for Ottoman/Table
 SRP in USD **\$758**
 MAP in USD **\$720**



AVON **QS 91-2415**
 Type Table top
 Table top Thermo ash FSC® – FSC C153404

Table top
 SRP in USD **\$330**
 MAP in USD **\$313**



AVON **QS 96-2428-XX**
 Type Cushion for ottoman
 Cushions Sunbrella fabric

Cushion for Ottoman
 SRP in USD **\$330**
 MAP in USD **\$313**

44



Designed by HENRIK PEDERSEN

MOLO

OUTDOOR
LOUNGE

A Sunbed with soft rounded bamboo lamellas and a leg construction in powder coated black steel.

The back of the MOLO Sunbed is adjustable with five different positions, which makes it possible to either lay down or sit. MOLO is versatile and can be used as a daybed too.



46

MOLO

OUTDOOR LOUNGE

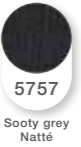
DESCRIPTION

COLORS

Sunbed with 5 positions
Bamboo lamellas
Powder coated black steel leg construction

Cushions in Sunbrella fabric in different colors.
Heritage fabric contains 50% recycled Sunbrella acrylic,
47% Sunbrella acrylic and 3% polyester.

xx = fabric color code



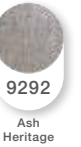
5757

Sooty grey
Natté



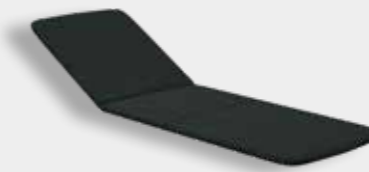
4444

Alpine
Heritage



9292

Ash
Heritage



MOLO

QS 13101-0312

Type
Lamellas
Frame

Sunbed
Bamboo
Powder coated black steel

Sunbed

SRP in USD \$1,318

MAP in USD \$1,252

MOLO

QS 13121-XXXX

Type
Cushion

Cushion for sunbed
Sunbrella fabric

Natté
SRP in USD · \$324

MAP in USD · \$308

Heritage
SRP in USD · \$410

MAP in USD · \$390

48

EXTRAS

OUTDOOR
DINING & LOUNGE



HOUE

DESCRIPTION

Additional products to complement HOUE collections



50

EXTRAS

OUTDOOR DINING & LOUNGE

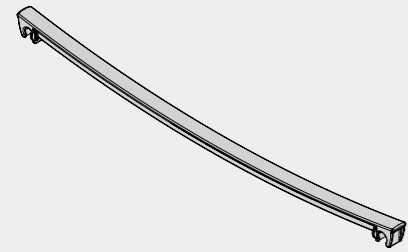
DESCRIPTION

CLICK



xx = color code

RECLIPS



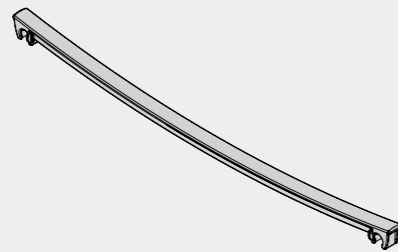
CLICK QS 10807-XX

Type
Size
Extra CLICK lamella
Ø10 mm // 0,4 in

Extra CLICK lamella

SRP in USD **\$2,5**

MAP in USD **\$2,3**



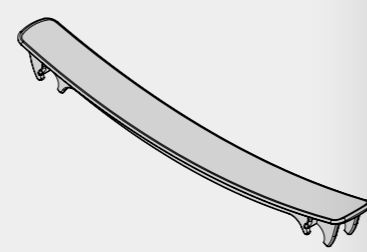
CLICK QS 10808-XX

Type
Size
Extra CLICK lamella
Ø12 mm // 0,5 in

Extra CLICK lamella

SRP in USD **\$2,5**

MAP in USD **\$2,3**



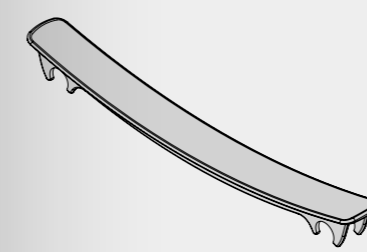
RECLIPS ST 22321-XX

Type
Center lamella, extra ReCLIPS lamella

Center lamella

SRP in USD **\$4,50**

MAP in USD **\$4,25**



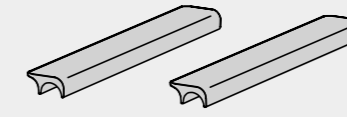
RECLIPS ST 22322-XX

Type
End lamella, extra ReCLIPS lamella

End lamella

SRP in USD **\$4,50**

MAP in USD **\$4,25**



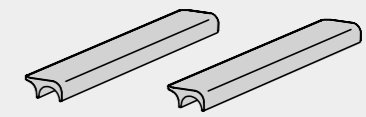
RECLIPS QS 93-0070-XX

Type
Quantity
Aluminum armrests for Dining chair
Set of two armrests

Aluminum armrest for Dining chair

SRP in USD **\$13**

MAP in USD **\$12,35**



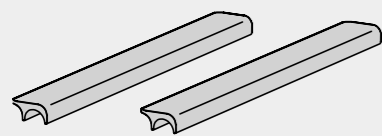
RECLIPS QS 93-0070-03

Type
Quantity
Bamboo armrests for Dining chair
Set of two armrests

Bamboo armrest for Dining chair

SRP in USD **\$13**

MAP in USD **\$12,35**



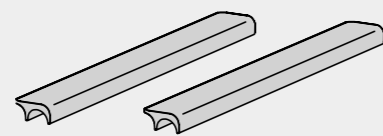
RECLIPS QS 93-0080-XX

Type
Quantity
Aluminum armrests for Rocking/Lounge chair
Set of two armrests

Aluminum armrest for Rocking chair

SRP in USD **\$18**

MAP in USD **\$17,10**



RECLIPS QS 93-0080-03

Type
Quantity
Bamboo armrests for Rocking/Lounge chair
Set of two armrests

Bamboo armrest for Rocking chair

SRP in USD **\$18**

MAP in USD **\$17,10**



HOUE OIL QS 90-0100

Type
Oil for maintenance of bamboo and thermo ash on outdoor furniture. For optimal maintenance, treat before use and 3-4 times per year

Oil for maintenance

SRP in USD **\$30**

MAP in USD **\$29**



PAON QS 12820-5454

Type
Color
Cushion for Dining chair
Carbon grey

Cushion for Dining chair

SRP in USD **\$73**

MAP in USD **\$70**



PAON QS 12821-5454

Type
Color
Cushion Lounge/Rocking chair
Carbon grey

Cushion for Lounge/Rocking chair

SRP in USD **\$104**

MAP in USD **\$98**



PAON QS 12822-5454

Type
Color
Cushion for Bench
Carbon grey

Cushion for Bench

SRP in USD **\$193**

MAP in USD **\$183**

EXTRAS

OUTDOOR DINING & LOUNGE



LEVEL **QS 12251**

Type: Cover for right corner sofa
Fabric: Water repellent 100% polyester

Cover for Right corner sofa

SRP in USD **\$124**

MAP in USD **\$118**



LEVEL **QS 12252**

Type: Cover for left corner sofa
Fabric: Water repellent 100% polyester

Cover for Left corner sofa

SRP in USD **\$124**

MAP in USD **\$118**



LEVEL **QS 12255**

Type: Cover for lounge chair
Fabric: Water repellent 100% polyester

Cover for Lounge chair

SRP in USD **\$82**

MAP in USD **\$78**



LEVEL **QS 12253**

Type: Cover for ottoman
Fabric: Water repellent 100% polyester

Cover for Ottoman

SRP in USD **\$58**

MAP in USD **\$55**



AVON **ST 14227**

Type: Cover for 2 seater lounge sofa
Fabric: Water repellent 100% polyester

Cover for 2 seater lounge sofa

SRP in USD **\$140**

MAP in USD **\$133**



AVON **ST 14225**

Type: Cover for lounge chair
Fabric: Water repellent 100% polyester

Cover for Lounge chair

SRP in USD **\$109**

MAP in USD **\$103,55**



AVON **ST 14228**

Type: Cover for ottoman
Fabric: Water repellent 100% polyester

Cover for Ottoman

RRP in EUR **\$75**

RRP ex VAT **\$71,25**

54

TECHNICAL

MEASURES
& SPECIFICATIONS

56

CLICK

64

RECLIPS

68

PAON

74

NAMI

78

TABLES

88

TRAY TABLES

94

LEVEL

100

AVON

106

MOLO

110

MATERIALS

56

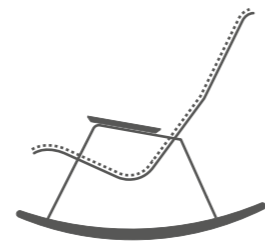
CLICK

OUTDOOR DINING & LOUNGE

CLICK is a collection of outdoor furniture made in intelligently designed plastic lamellas combined with powder coated steel and beautiful bamboo parts.

The lamellas in UV protected plastic, are able to withstand most weather conditions, and keep the maintenance to a minimum. The CLICK series is designed with comfort in mind and shaped to provide excellent cushion free seating.

Designed by Henrik Pedersen



2 year warranty



uv protected



weather resistant



EN581 for dining chair



58

DESCRIPTION

CLICK

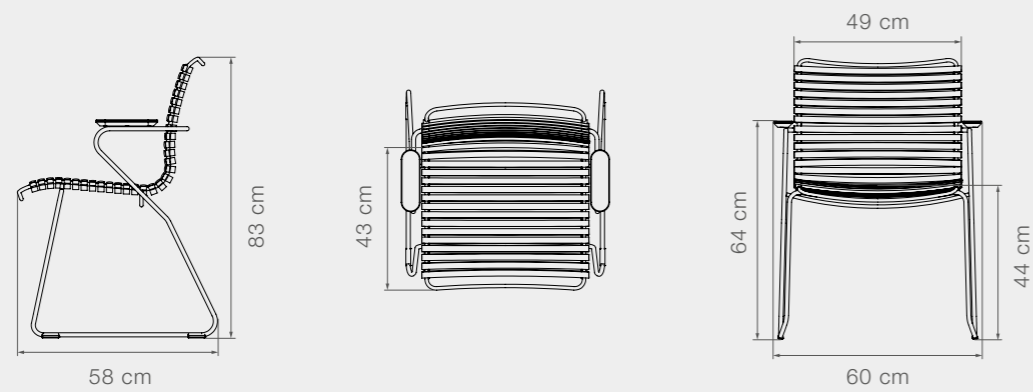
DINING & LOUNGE SPECIFICATIONS

Powder coated grey steel frame

Plastic lamellas

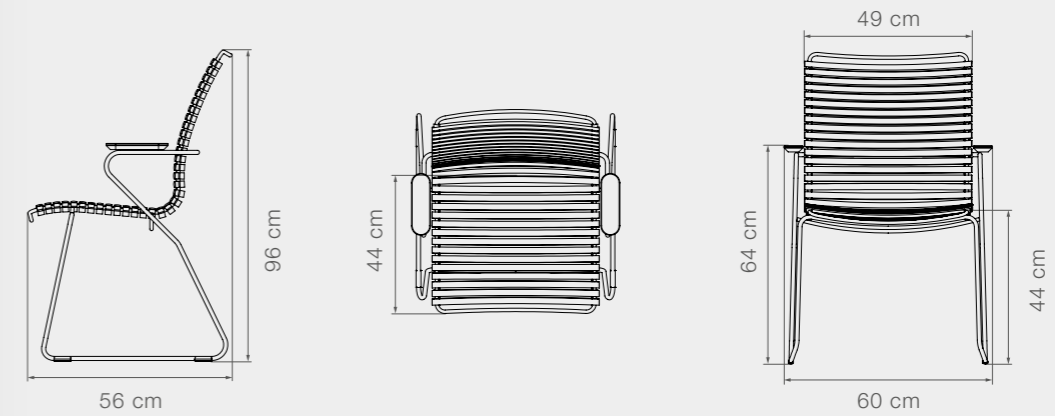
Bamboo armrests

CLICK Dining chair



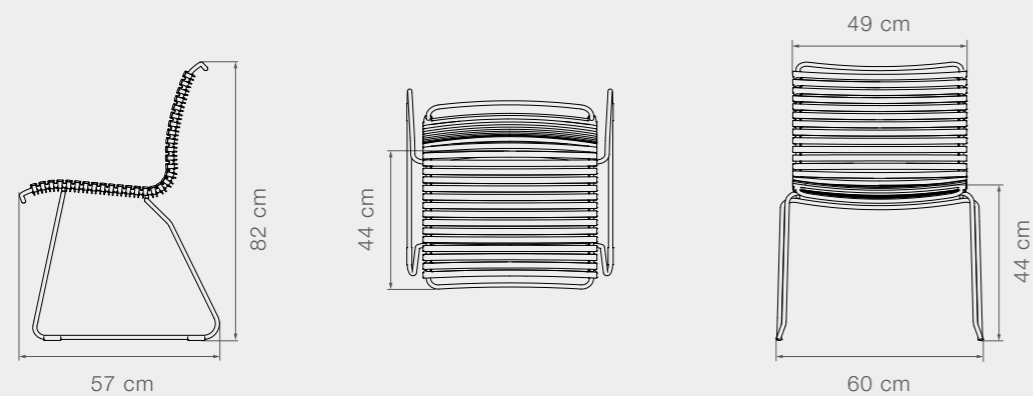
Product weight	7,7 kg // 17 lbs	Width	60 cm // 23,6 in	Seat width	49 cm // 19,3 in	Armrest height	64 cm // 25 in
Lamella size	Ø10 mm // 0,4 in	Depth	58 cm // 22,6 in	Seat depth	43 cm // 16,7 in	Diameter	78 cm // 30,7 in
Lamella used	30 pcs	Height	83 cm // 32,5 in	Seat height	44 cm // 17,3 in		

CLICK Dining chair tall back



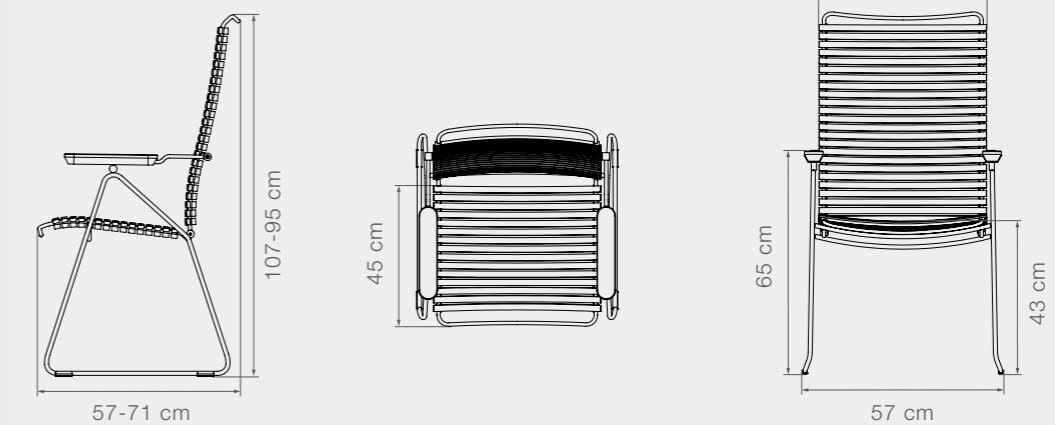
Product weight	8 kg // 17,6 lbs	Width	60 cm // 23,6 in	Seat width	49 cm // 19,3 in	Armrest height	64 cm // 25 in
Lamella size	Ø10 mm // 0,4 in	Depth	56 cm // 22,2 in	Seat depth	44 cm // 17,3 in	Diameter	78 cm // 30,7 in
Lamella used	34 pcs	Height	96 cm // 37,8 in	Seat height	44 cm // 17,3 in		

CLICK Dining chair no armrests



Product weight	7,3 kg // 16,1 lbs	Width	60 cm // 23,6 in	Seat width	49 cm // 19,3 in	Armrest height	N/A
Lamella size	Ø12 mm // 0,5 in	Depth	57 cm // 22,4 in	Seat depth	44 cm // 17,3 in	Diameter	78 cm // 30,7 in
Lamella used	30 pcs	Height	82 cm // 32,3 in	Seat height	44 cm // 17,3 in		

CLICK Position chair



Product weight	9,3 kg // 20,5 lbs	Width	57 cm // 22,5 in	Seat width	49 cm // 19,3 in	Armrest height	65 cm // 25,6 in
Lamella size	Ø10 mm // 0,4 in	Depth	57-71 cm // 22,4-28,1 in	Seat depth	45 cm // 17,5 in	Diameter	78-96 cm // 16,7 in
Lamella used	39 pcs	Height	107-95 cm // 42,7-37,4 in	Seat height	43 cm // 16,9 in	Positions	7

60

DESCRIPTION

CLICK

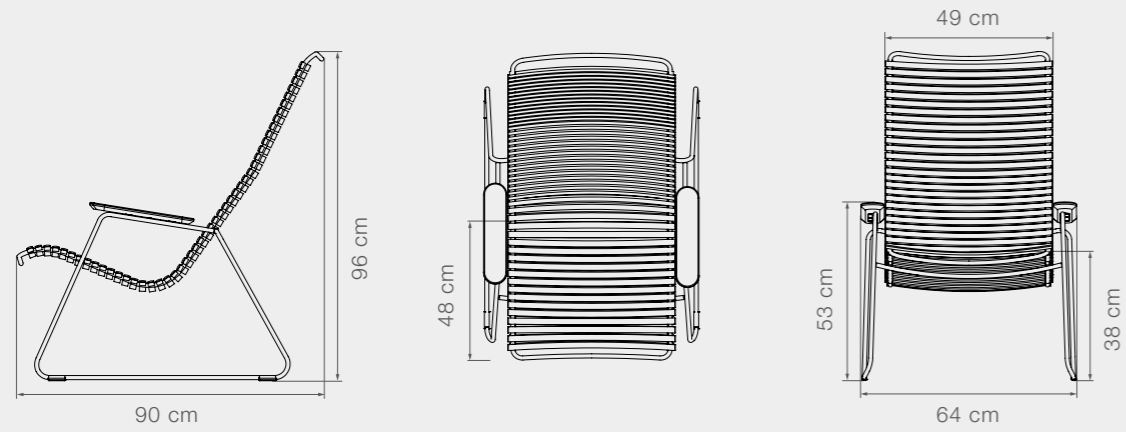
DINING & LOUNGE SPECIFICATIONS

Powder coated grey steel frame

Plastic lamellas

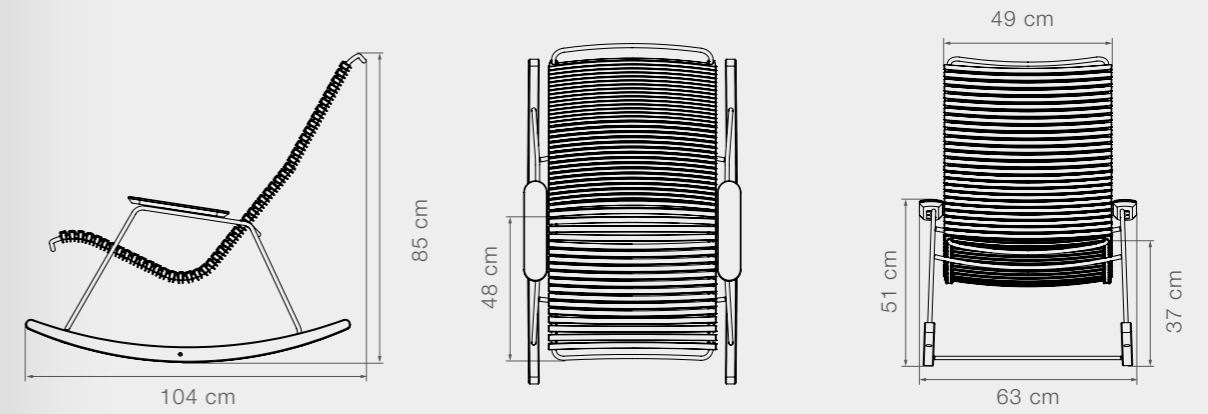
Bamboo armrests and runners

CLICK Lounge chair



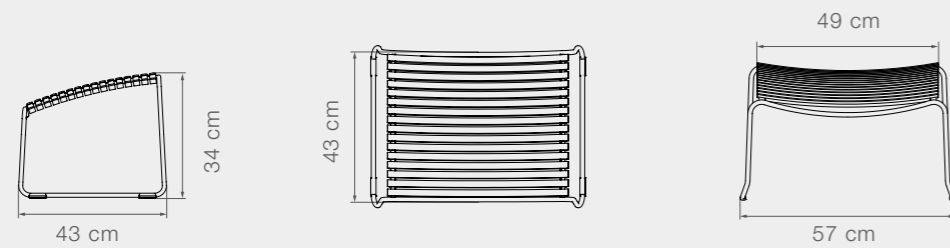
Product weight	10,8 kg // 23,8 lbs	Width	64 cm // 25,2 in	Seat width	49 cm // 19,3 in	Armrest height	53 cm // 20,7 in
Lamella size	Ø12 mm // 0,5 in	Depth	90 cm // 35,4 in	Seat depth	48 cm // 18,9 in	Diameter	99 cm // 38,8 in
Lamella used	48 pcs	Height	96 cm // 37,6 in	Seat height	38 cm // 14,8 in		

CLICK Rocking chair



Product weight	10,7 kg // 23,6 lbs	Width	63 cm // 24,6 in	Seat width	49 cm // 19,3 in	Armrest height	51 cm // 19,9 in
Lamella size	Ø12 mm // 0,5 in	Depth	104 cm // 40,9 in	Seat depth	48 cm // 18,7 in	Diameter	115 cm // 45,3 in
Lamella used	48 pcs	Height	85 cm // 33,3 in	Seat height	37 cm // 14,6 in		

CLICK Footrest



Product weight	4,1 kg // 9 lbs	Width	57 cm // 22,4 in	Seat width	49 cm // 19,3 in	Armrest height	N/A
Lamella size	Ø10 mm // 0,4 in	Depth	43 cm // 17 in	Seat depth	43 cm // 17 in	Diameter	71 cm // 27,9 in
Lamella used	16 pcs	Height	34 cm // 13,4 in	Seat height	34 cm // 13,4 in		

62

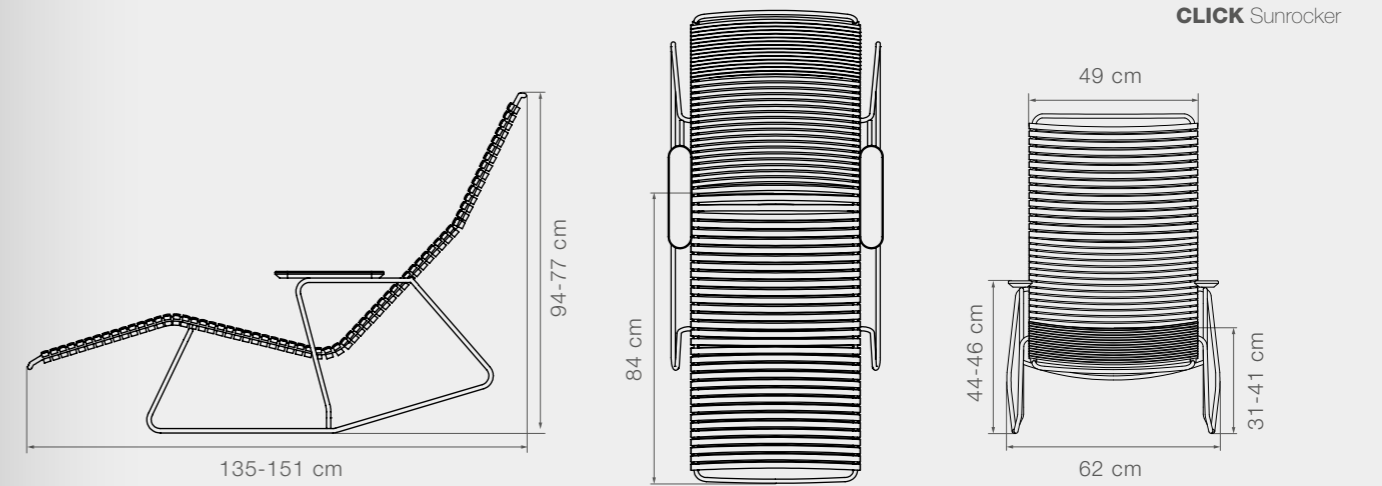
CLICK

DINING & LOUNGE SPECIFICATIONS



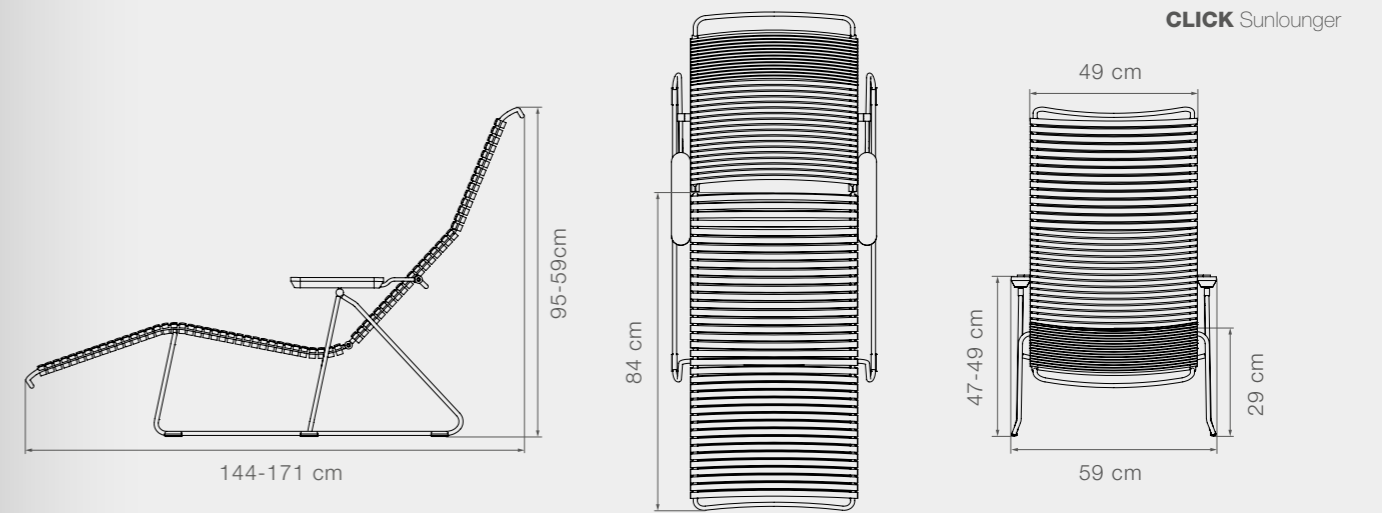
DESCRIPTION

- Powder coated grey steel frame
- Plastic lamellas
- Bamboo armrests



CLICK Sunrocker

Product weight	13,2 kg // 29,1 lbs	Width	62 cm // 24,4 in	Seat width	49 cm // 19,3 in	Armrest height	44-46 cm // 17,1-18,1 in
Lamella size	Ø12 mm // 0,5 in	Length	135-151 cm // 53,1-59,3 in	Seat depth	84 cm // 33,2 in	Diameter	cm // in
Lamella used	68 pcs	Height	94-77 cm // 36,9-30,1 in	Seat height	31-41 cm // 12,1-16 in		



CLICK Sunlounger

Product weight	13,9 kg // 30,6 lbs	Width	59 cm // 23,3 in	Seat width	49 cm // 19,3 in	Armrest height	47-49 cm // 18,5-19,3 in
Lamella size	Ø12 mm // 0,5 in	Depth	144-171 cm // 56,8-67,3 in	Seat depth	84 cm // 33,2 in	Positions	7
Lamella used	68 pcs	Height	95-59 cm // 37,4-23,2 in	Seat height	29 cm // 11,5 in		

MyTrash
RECLIPS

OUTDOOR
DINING & LOUNGE

ReCLIPS is a collection of chairs with wide lamellas clipped on a powder coated aluminum frame.

The lamellas are made from Danish household plastic trash and produced in Denmark. The technology behind reusing plastic household trash for furniture production is developed in Denmark. With ReCLIPS you are basically looking at the result of mixing Danish design and Danish innovation and converting this new thinking and material into a chair.

ReCLIPS Dining, Rocking and Lounge chair come in 4 mono colors, with the choice of aluminum or bamboo armrests. The Bar stool is available in black. The aluminum frame combined with the UV protected plastic lamellas keep the maintenance to a minimum.

Designed by Henrik Pedersen.



5 year warranty



uv protected



weather resistant



EN581 for dining chair



recycled plastic



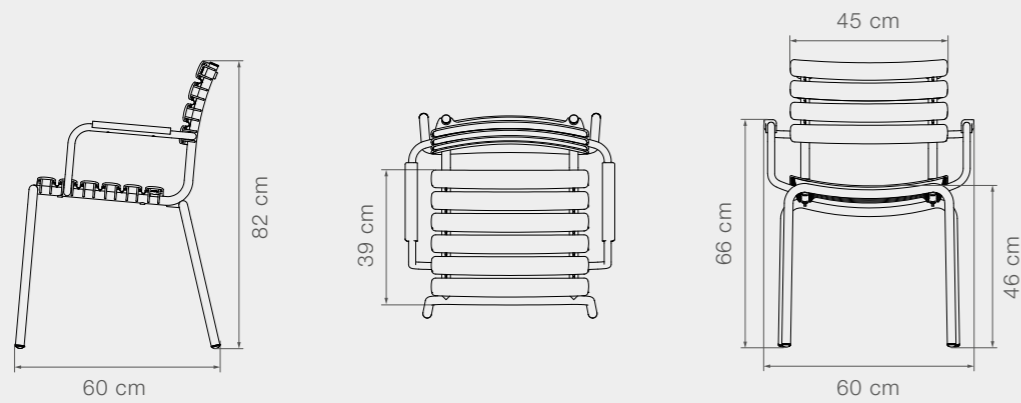
MyTrash
RECLIPS

DINING & LOUNGE
SPECIFICATIONS

Lamellas made from recycled household plastic trash
Powder coated aluminum frame

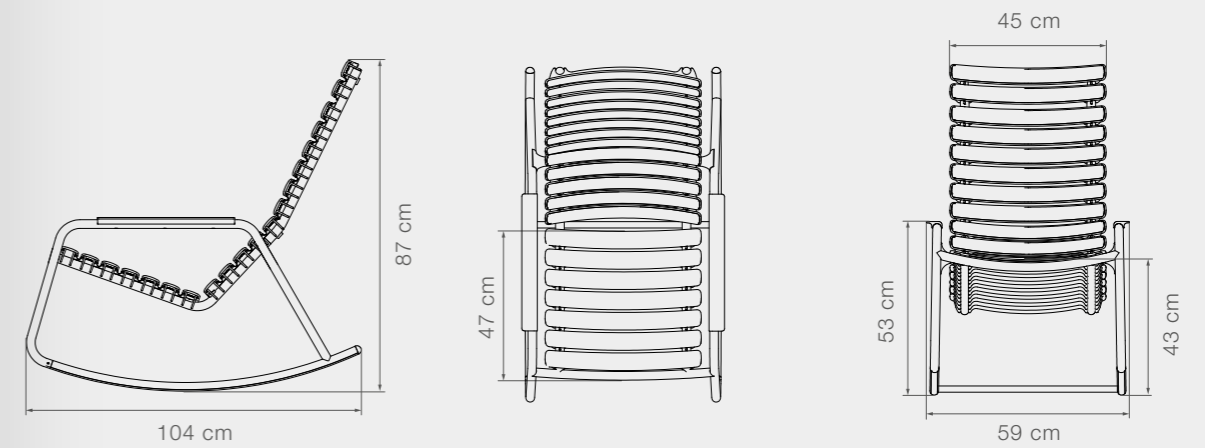
Bamboo or powder coated
aluminum armrests

RECLIPS Dining chair



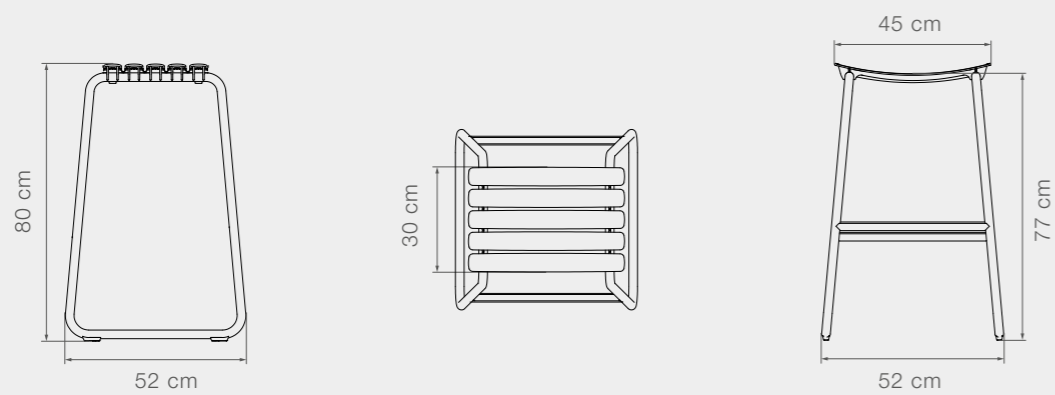
Product weight	3,9 kg // 8,6 lbs	Width	60 cm // 23,6 in	Seat width	45 cm // 17,7 in	Armrest height	66 cm // 25,9 in
Lamella size	Ø20/25 mm // 0,8/1 in	Depth	60 cm // 23,6 in	Seat depth	39 cm // 15,2 in	Diameter	77 cm // 30,1 in
Lamella used	10 pcs	Height	82 cm // 32,3 in	Seat height	46 cm // 17,9 in		

RECLIPS Rocking chair



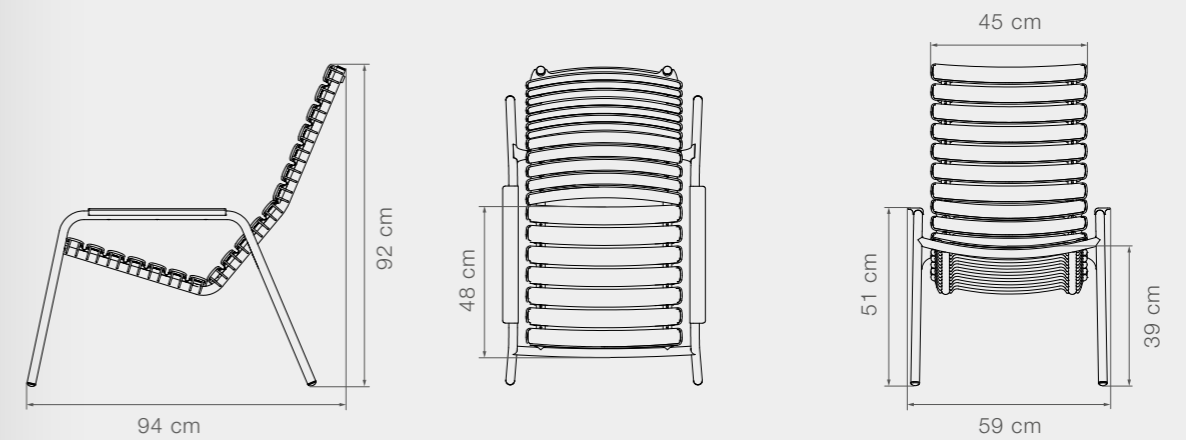
Product weight	8 kg // 17,6 lbs	Width	59 cm // 23 in	Seat width	45 cm // 17,7 in	Armrest height	53 cm // 2,7 in
Lamella size	Ø25 mm // 1 in	Depth	104 cm // 40,9 in	Seat depth	47 cm // 18,3 in	Diameter	111 cm // 43,6 in
Lamella used	20 pcs	Height	87 cm // 34,3 in	Seat height	43 cm // 16,7 in		

RECLIPS Bar stool



Product weight	3,2 kg // 7,1 lbs	Width	52 cm // 20,4 in	Seat width	45 cm // 17,7 in	Armrest height	N/A
Lamella size	Ø25 mm // 1 in	Depth	52 cm // 20,5 in	Seat depth	30 cm // 11,9 in	Diameter	73 cm // 29,6 in
Lamella used	5 pcs	Height	80 cm // 31,5 in	Seat height	77 cm // 30,3 in		

RECLIPS Lounge chair



Product weight	6,5 kg // 14,3 lbs	Width	59 cm // 23,1 in	Seat width	45 cm // 17,7 in	Armrest height	51 cm // 20,1 in
Lamella size	Ø25 mm // 1 in	Depth	94 cm // 37,1 in	Seat depth	48 cm // 18,7 in	Diameter	103 cm // 40,6 in
Lamella used	19 pcs	Height	92 cm // 36,3 in	Seat height	39 cm // 15,2 in		

68

PAON

OUTDOOR DINING & LOUNGE

A collection of chairs in powder coated steel combined with beautiful bamboo lamellas.

PAON is French for Peacock and this bird is the inspiration behind the design of the PAON chairs – take a look at the back and you will notice.

PAON is light Scandinavian in its design with a touch of French Victorian romance. All PAON chairs are blessed with a seating comfort you would not expect from a metal chair.

Designed by Henrik Pedersen.



2 year warranty



uv protected



weather resistant



EN581 for dining chair



70

DESCRIPTION

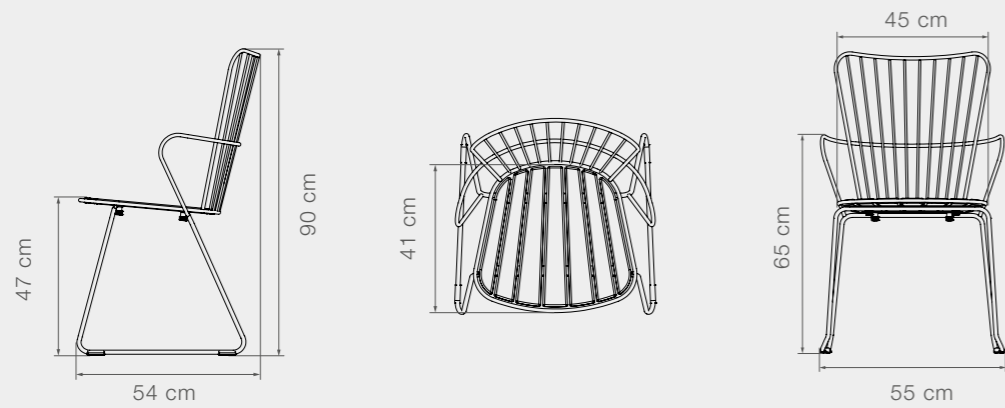
PAON

DINING & LOUNGE SPECIFICATIONS

Powder coated steel frame

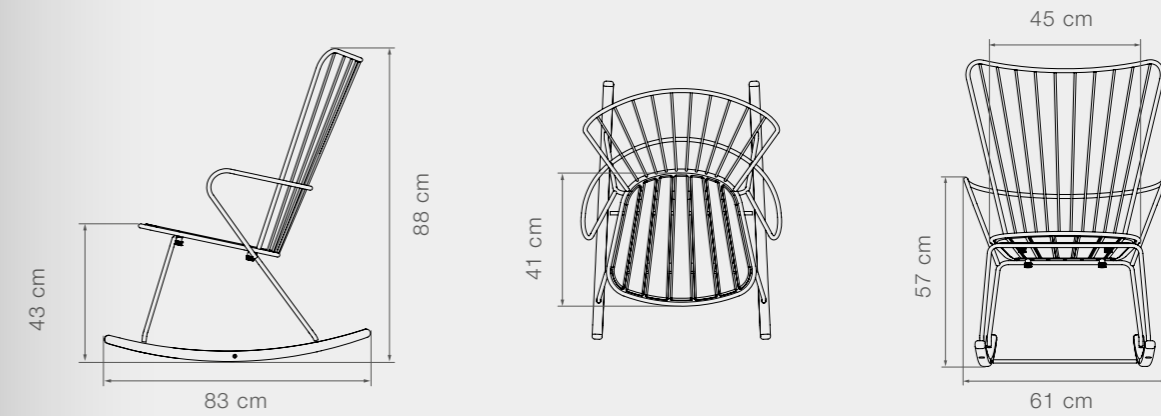
Bamboo seat and runners

PAON Dining chair



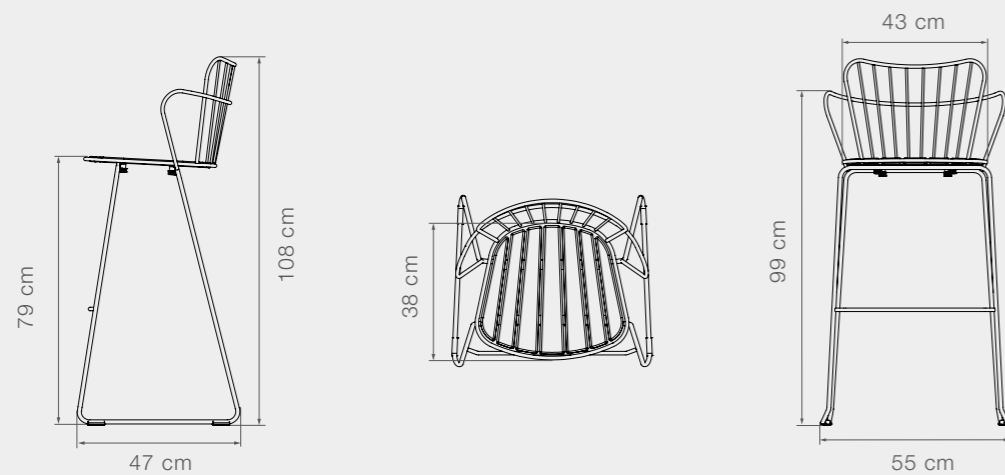
Product weight	8,2 kg // 18,1 lbs	Width	55 cm // 21,5 in	Seat width	45 cm // 17,7 in	Armrest height	65 cm // 25,6 in
Tube size	Ø6/10/12 mm // 0,2/0,4/0,5 in	Depth	54 cm // 21,4 in	Seat depth	41 cm // 16,1 in	Diameter	71 cm // 27,8 in
		Height	90 cm // 35,3 in	Seat height	47 cm // 18,5 in	Slats used	7 pcs

PAON Rocking chair



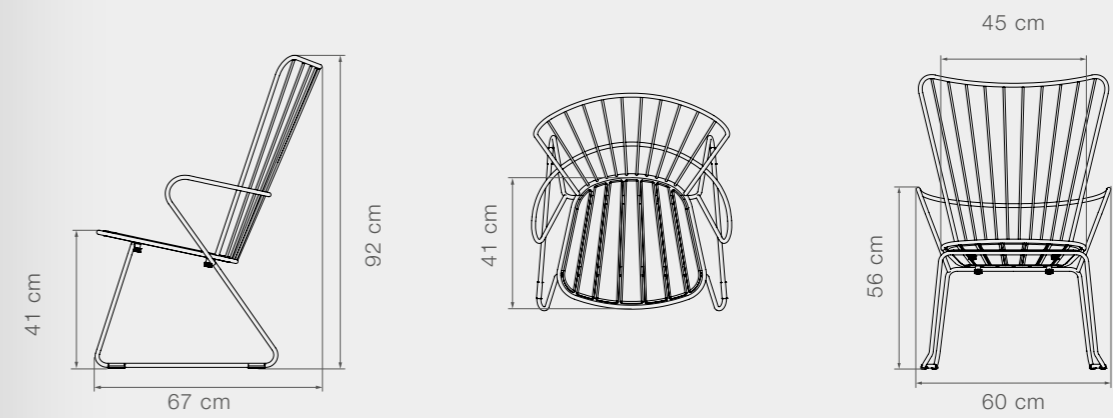
Product weight	10,4 kg // 22,9 lbs	Width	61 cm // 23,8 in	Seat width	45 cm // 17,7 in	Armrest height	57 cm // 22,2 in
Tube size	Ø6/12 mm // 0,2/0,5 in	Depth	83 cm // 32,5 in	Seat depth	41 cm // 16,1 in	Diameter	111 cm // 43,6 in
Slats used	7 pcs	Height	88 cm // 34,8 in	Seat height	43 cm // 16,7 in		

PAON Bar stool



Product weight	8,7 kg // 41,2 lbs	Width	55 cm // 21,5 in	Seat width	43 cm // 16,7 in	Armrest height	99 cm // 38,8 in
Tube size	Ø6/10/12 mm // 0,2/0,4/0,5 in	Depth	47 cm // 18,6 in	Seat depth	38 cm // 14,7 in	Diameter	70 cm // 27,4 in
		Height	108 cm // 42,3 in	Seat height	79 cm // 31,1 in	Slats used	7 pcs

PAON Lounge chair



Product weight	10 kg // 22,1 lbs	Width	60 cm // 23,6 in	Seat width	45 cm // 17,7 in	Armrest height	56 cm // 22 in
Tube size	Ø6/12 mm // 0,2/0,5 in	Depth	67 cm // 26,2 in	Seat depth	41 cm // 16,1 in	Diameter	79 cm // 31 in
Slats used	7 pcs	Height	92 cm // 36 in	Seat height	41 cm // 15,9 in		

72

PAON

DINING & LOUNGE
SPECIFICATIONS

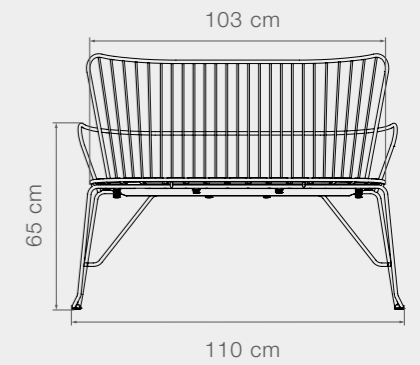
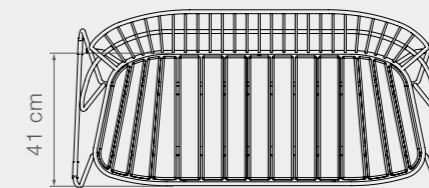
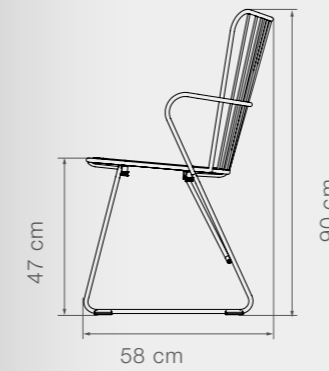
DESCRIPTION

Powder coated steel frame

Bamboo seat



PAON Bench



Product weight	18,3 kg // 40,3 lbs	Width	110 cm // 43,3 in	Seat width	103 cm // 40,6 in	Armrest height	65 cm // 25,6 in
Tube size	Ø6/12 mm // 0,2/0,5 in	Depth	58 cm // 22,7 in	Seat depth	41 cm // 16,2 in	Diameter	122 cm // 48,1 in
Lamella used	15 pcs	Height	90 cm // 35,2 in	Seat height	47 cm // 18,3 in		

MyTrash
NAMI

OUTDOOR
DINING

The NAMI chair consists of a powder coated steel frame with a beautifully molded plastic shell. The shell is made in Denmark from 97% Danish household plastic trash with 3% color pigment added.

The chair comes in 4 different colors: Black, Dark grey, green and blue, with a frame in the same color as the shell. The shell is made from Danish household trash and the chair is produced in Denmark.

The elegant curve in the shell is designed to resemble a wave washing over a beach. NAMI means wave and emphasizes the organic expression found in this elegant garden chair.

The design is based on the forces and lines of nature and finds its natural place outdoors exposed to wind and weather.

Designed by Hans Thyge & Co.



5 year
warranty



uv
protected



weather
resistant



EN581 for
dining chair
(Pending)



recycled
plastic



76

DESCRIPTION

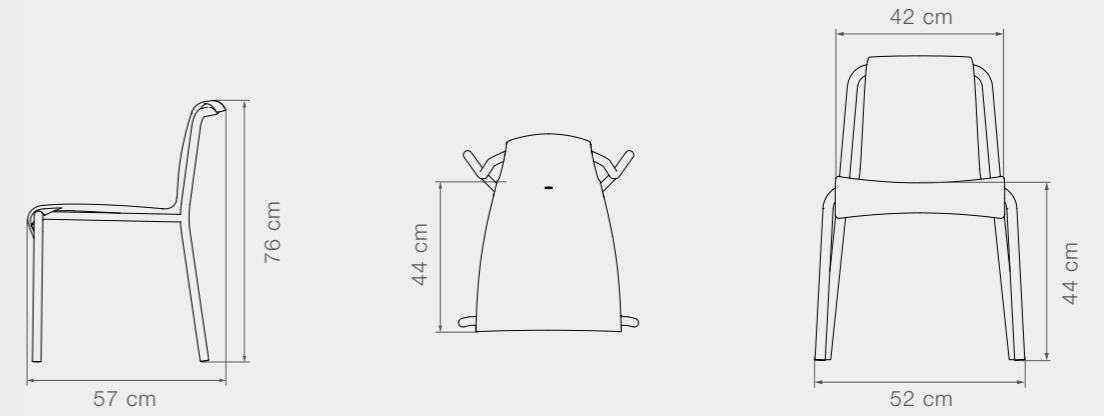
MyTrash
NAMI

DINING
SPECIFICATIONS

Seat made from recycled household plastic trash
Powder coated steel frame



NAMI Dining chair



Product weight	5,8 kg // 12,8 lbs	Width	52 cm // 20,3 in	Seat width	42 cm // 16,4 in	Armrest height	N/A
Tube size	Ø25 mm // 1 in	Depth	57 cm // 22,4 in	Seat depth	44 cm // 17,3 in	Diameter	71 cm // 27,9 in
		Height	76 cm // 29,7 in	Seat height	44 cm // 17,4 in		

TABLES

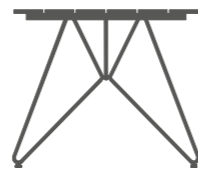
OUTDOOR DINING & LOUNGE

Combinations of powder coated steel or aluminum, bamboo and black granite create a collection of well designed outdoor dining tables which all complement HOUE dining chairs perfectly, enabling beautiful settings in the garden.

In the design process, a lot of effort is put into form and shape to make tables, that not only please the eye, but also give optimal stability and functionality.

Designed by Henrik Pedersen

NAMI designed by Hans Thyge & Co.



HOUE



2 year
warranty



uv
protected



weather
resistant



TABLES

DINING SPECIFICATIONS

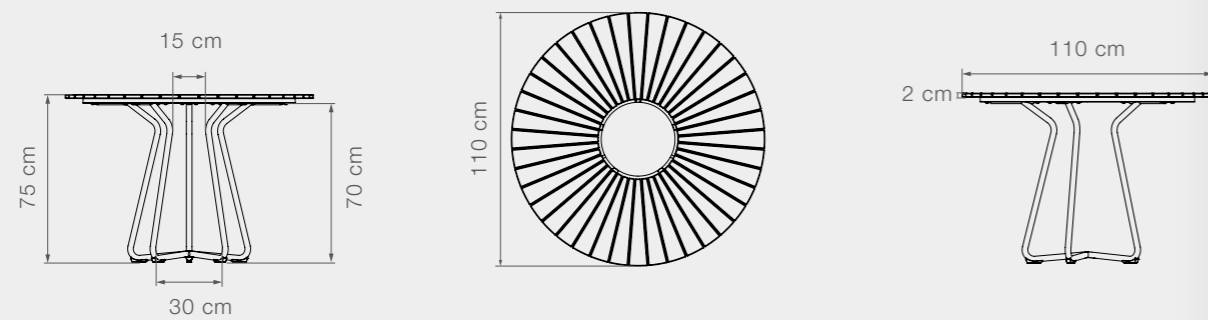
Powder coated steel or aluminum construction

Bamboo or recycled household plastic trash table top

Granite

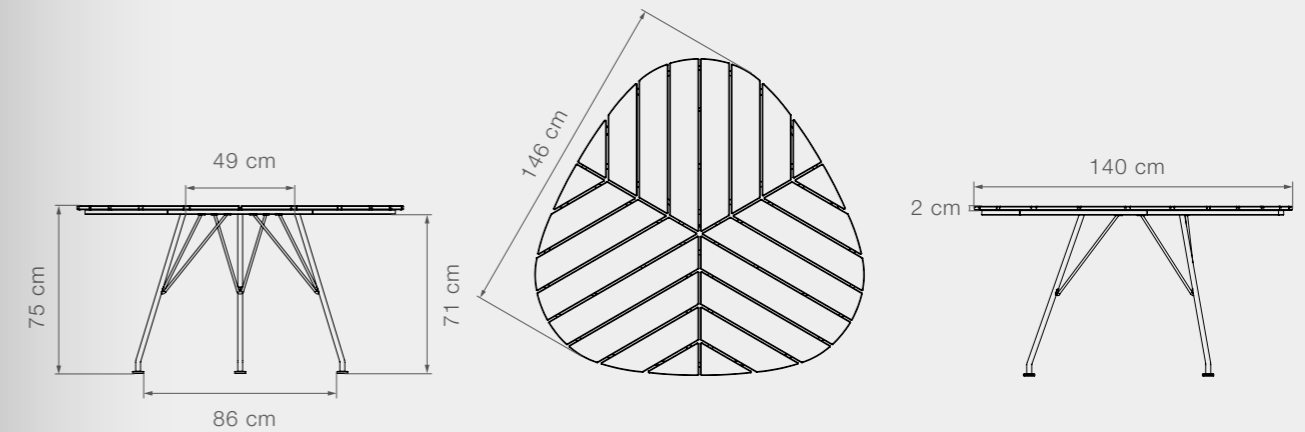
*TT = TableTop

CIRCLE Dining table



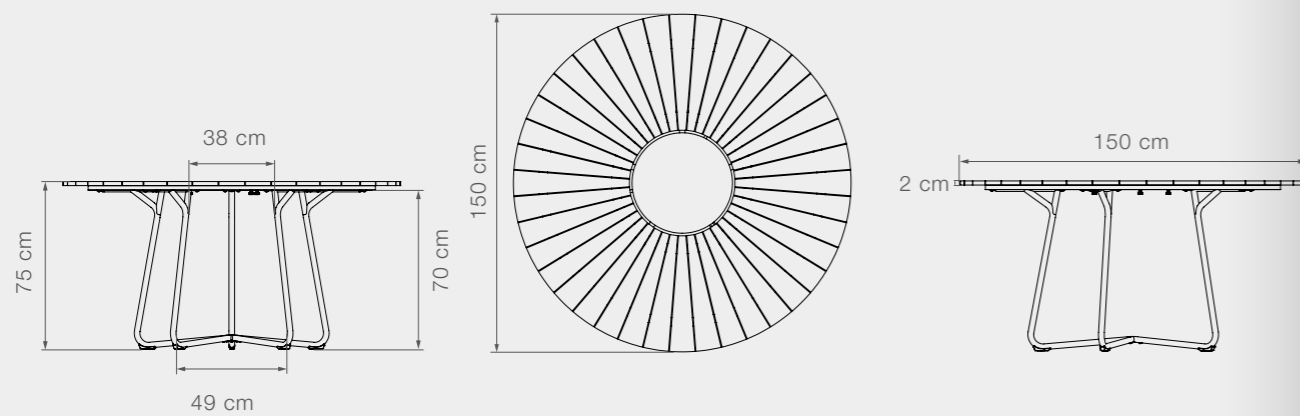
Product weight	21,5 kg // 47,4 lbs	Width	Ø110 cm // 43,3 in	Height under TT*	70 cm // 27,7 in	Space legs top	15 cm // 5,8 in
Tube size	Ø25 mm // 1 in	Depth	Ø110 cm // 43,3 in	TT* thickness	2 cm // 0,8 in	Diameter	110 cm // 43,3 in
Slats used	40 pcs	Height	75 cm // 29,3 in	Space legs floor	30 cm // 11,6 in		

LEAF Dining table



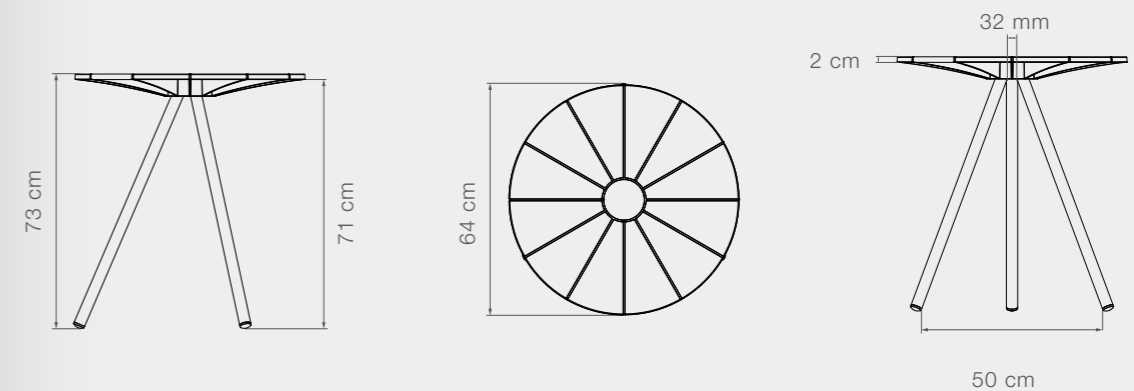
Product weight	30,4 kg // 67 lbs	Width	146 cm // 57,5 in	Height under TT*	71 cm // 27,9 in	Space legs top	49 cm // 19,2 in
Tube size	Ø10/22 mm // 0,4/0,9 in	Depth	146 cm // 57,5 in	TT* thickness	2 cm // 0,8 in	Diameter	155 cm // 60,9 in
Slats used	24 pcs	Height	75 cm // 29,4 in	Space legs floor	86 cm // 33,9 in		

CIRCLE Dining table



Product weight	38,8 kg // 85,5 lbs	Width	Ø150 cm // 59,1 in	Height under TT*	70 cm // 27,7 in	Space legs top	38 cm // 11,6 in
Tube size	Ø25 mm // 1 in	Depth	Ø150 cm // 59,1 in	TT* thickness	2 cm // 0,8 in	Diameter	110 cm // 43,3 in
Slats used	40 pcs	Height	75 cm // 29,3 in	Space legs floor	49 cm // 19,4 in		

NAMI Café table



Product weight	6,5 kg // 14,3 lbs	Width	Ø64 cm // 25,2 in	Height under TT*	71 cm // 27,9 in	Space legs top	N/A
Tube size	Ø32 mm // 1,3 in	Depth	Ø64 cm // 25,2 in	TT* thickness	2 cm // 0,6 in	Diameter	64 cm // 25,2 in
		Height	73 cm // 29,9 in	Space legs floor	50 cm // 19,5 in		

TABLES

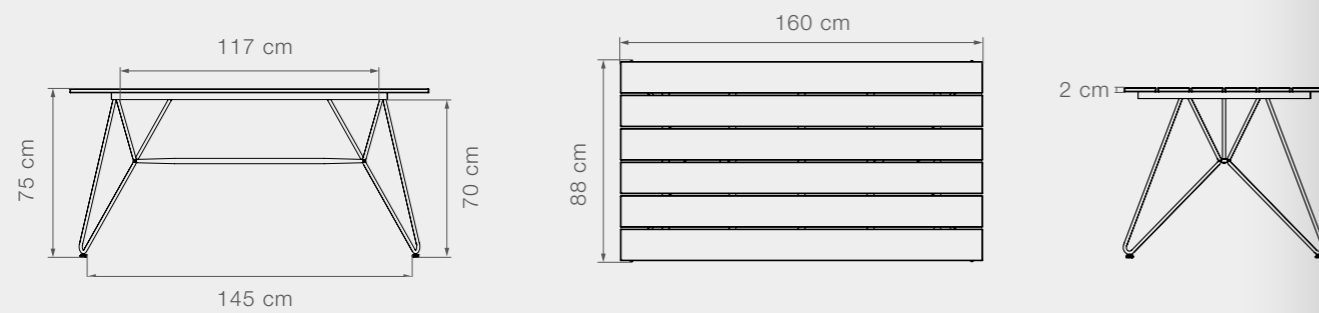
DINING SPECIFICATIONS

Powder coated grey or black steel construction

Bamboo or aluminum table top

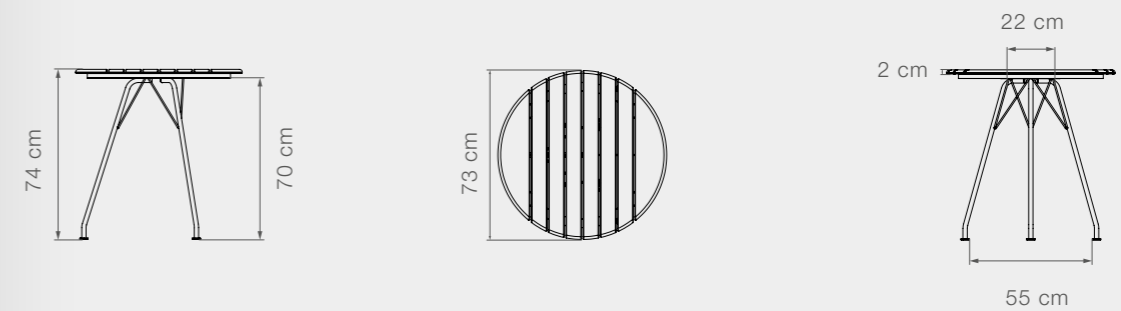
*TT = TableTop

SKETCH Dining table



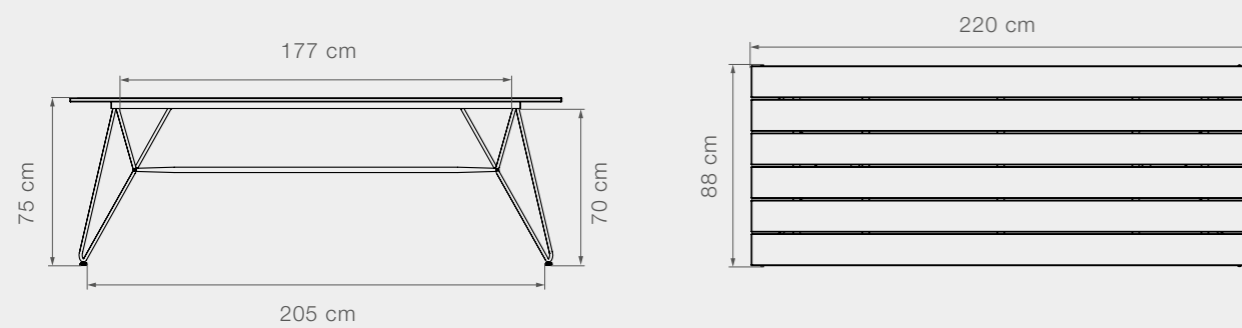
Product weight	35,5 kg // 78,3 lbs	Width	88 cm // 34,8 in	Height under TT*	70 cm // 27,7 in	Space legs top	117 cm // 45,9 in
Tube size	Ø14/24 mm // 0,6/0,9 in	Length	160 cm // 63 in	TT* thickness	2 cm // 0,7 in	Diameter	N/A
Slats used	6 pcs	Height	75 cm // 29,3 in	Space legs floor	145 cm // 57,1 in		

CIRCUM Café table



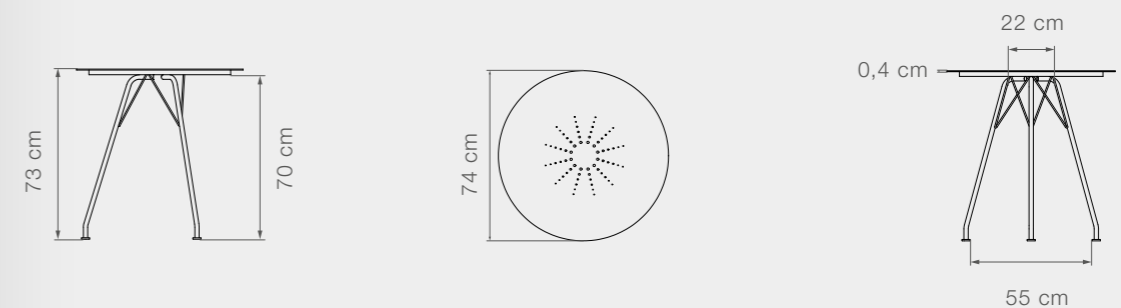
Product weight	10,5 kg // 23,2 lbs	Width	Ø73 cm // 28,9 in	Height under TT*	70 cm // 27,6 in	Space legs top	22 cm // 8,6 in
Tube size	Ø6/20 mm // 0,2/0,8 in	Depth	Ø73 cm // 28,9 in	TT* thickness	2 cm // 0,7 in	Diameter	73 cm // 29,1 in
Slats used	8	Height	74 cm // 29,1 in	Space legs floor	55 cm // 21,7 in		

SKETCH Dining table



Product weight	44,8 kg // 98,8 lbs	Width	88 cm // 34,8 in	Height under TT*	70 cm // 27,7 in	Space legs top	177 cm // 69,5 in
Tube size	Ø14/24 mm // 0,6/0,9 in	Length	220 cm // 86,6 in	TT* thickness	2 cm // 0,8 in	Diameter	N/A
Slats used	6 pcs	Height	75 cm // 29,3 in	Space legs floor	205 cm // 80,8 in		

CIRCUM Café table



Product weight	9 kg // 19,8 lbs	Width	Ø74 cm // 29,1 in	Height under TT*	70 cm // 27,6 in	Space legs top	22 cm // 8,6 in
Tube size	Ø6/19 mm // 0,2/0,7 in	Depth	Ø74 cm // 29,1 in	TT* thickness	4 mm // 0,9 in	Diameter	74 cm // 29,1 in
Slats used	N/A	Height	73 cm // 28,6 in	Space legs floor	55 cm // 21,7 in		

TABLES

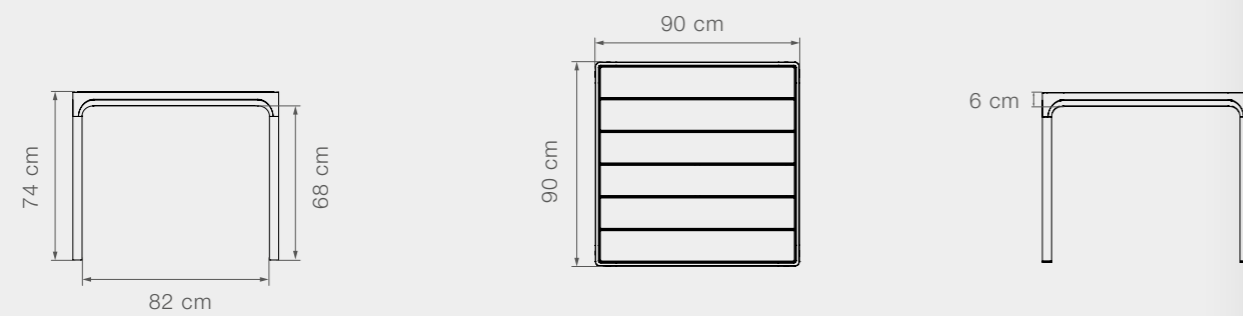
DINING SPECIFICATIONS

Powder coated grey or black aluminum construction

Bamboo or aluminum table top

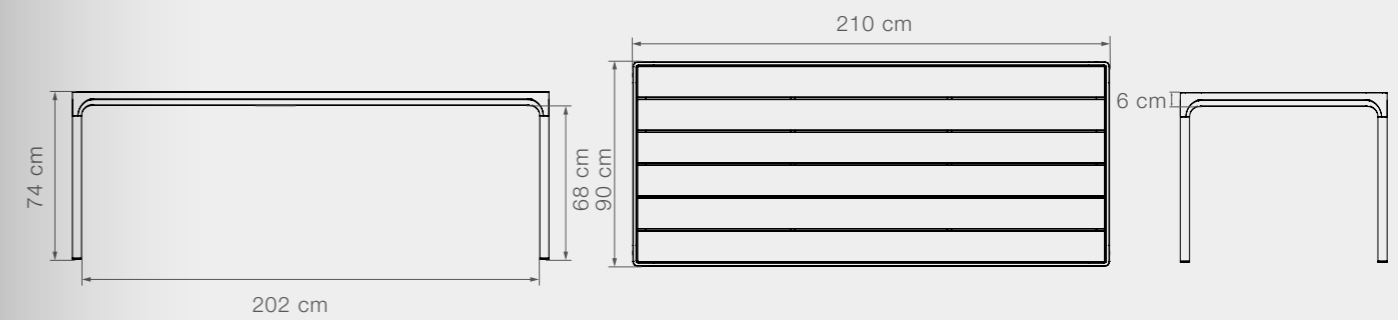
*TT = TableTop

FOUR Dining table



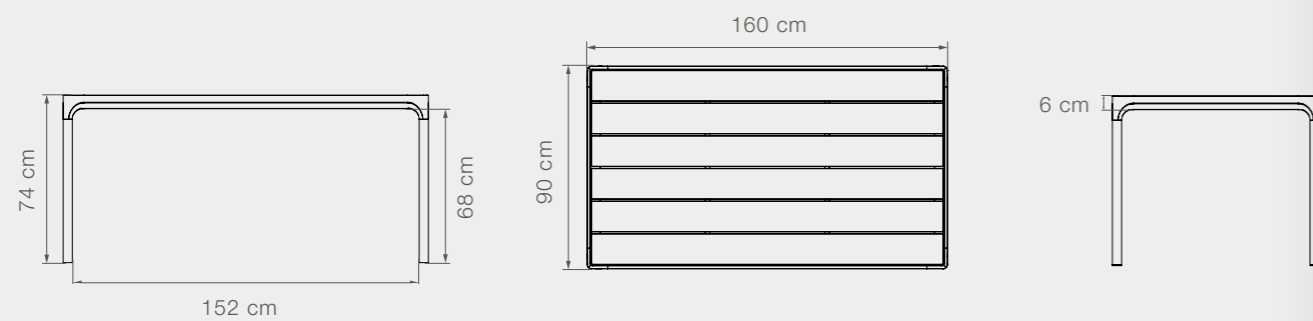
Product weight	18,8 kg // 41,5 lbs	Width	90 cm // 35,4 in	Height under TT*	68 cm // 26,8 in	Space legs top	82 cm // 32,3 in
Tube size	Ø40 mm // 1,6 in	Length	90 cm // 35,4 in	TT* thickness	6 cm // 2,5 in	Diameter	N/A
Slats used	6 pcs	Height	74 cm // 29,2 in	Space legs floor	82 cm // 32,3 in		

FOUR Dining table



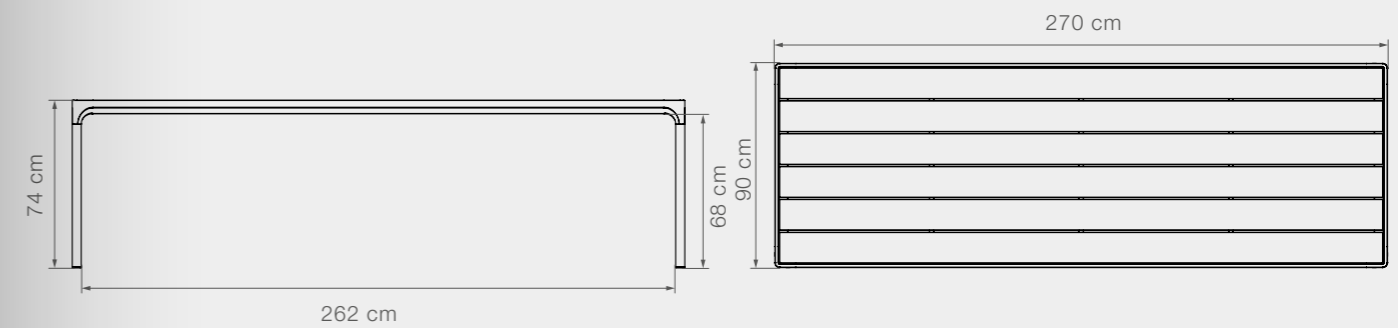
Product weight	33,5 kg // 73,9 lbs	Width	90 cm // 35,4 in	Height under TT*	68 cm // 26,8 in	Space legs top	202 cm // 79,5 in
Tube size	Ø40 mm // 1,6 in	Length	210 cm // 82,7 in	TT* thickness	6 cm // 2,5 in	Diameter	N/A
Slats used	6 pcs	Height	74 cm // 29,2 in	Space legs floor	202 cm // 79,5 in		

FOUR Dining table



Product weight	28,5 kg // 62,8 lbs	Width	90 cm // 35,4 in	Height under TT*	68 cm // 26,8 in	Space legs top	152 cm // 59,9 in
Tube size	Ø40 mm // 1,6 in	Length	160 cm // 63 in	TT* thickness	6 cm // 2,5 in	Diameter	N/A
Slats used	6 pcs	Height	74 cm // 29,2 in	Space legs floor	152 cm // 59,9 in		

FOUR Dining table



Product weight	43 kg // 94,8 lbs	Width	90 cm // 35,4 in	Height under TT*	68 cm // 26,8 in	Space legs top	262 cm // 103,1 in
Tube size	Ø40 mm // 1,6 in	Length	270 cm // 106,3 in	TT* thickness	6 cm // 2,5 in	Diameter	N/A
Slats used	6 pcs	Height	74 cm // 29,2 in	Space legs floor	262 cm // 103,1 in		

86

TABLES

DINING SPECIFICATIONS

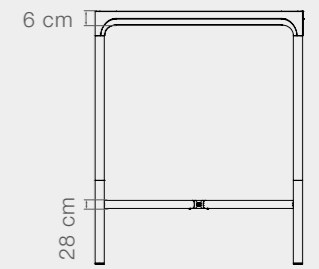
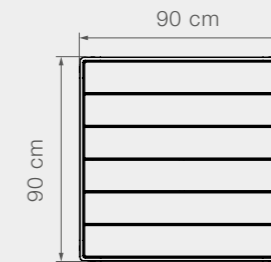
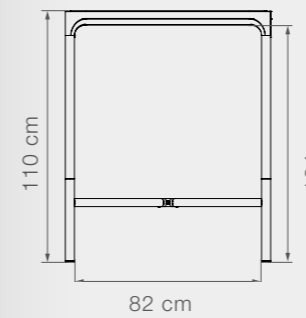
DESCRIPTION

Powder coated black aluminum construction
Bamboo or aluminum table top

*TT = TableTop

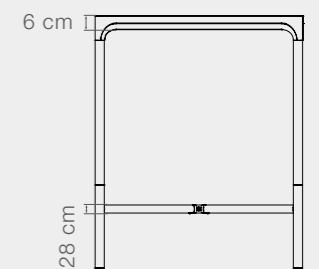
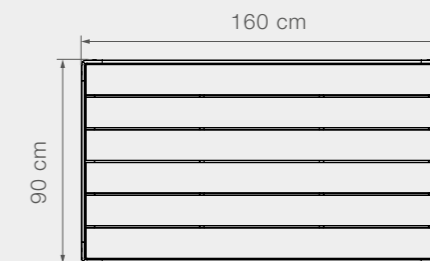
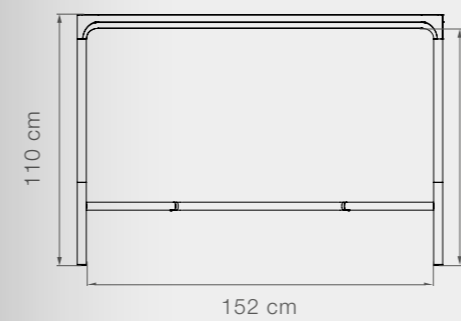


FOUR Bar table



Product weight	22 kg // 48,5 lbs	Width	90 cm // 35,4 in	Height under TT*	104 cm // 40,9 in	Space legs top	82 cm // 32,3 in
Tube size	Ø40 mm // 1,6 in	Length	90 cm // 35,4 in	TT* thickness	6 cm // 2,5 in	Diameter	N/A
Slats used	6 pcs	Height	110 cm // 43,3 in	Space legs floor	82 cm // 32,3 in	Bar height	28 cm // 10,9 in

FOUR Bar table



Product weight	32,7 kg // 72,1 lbs	Width	90 cm // 35,4 in	Height under TT*	104 cm // 40,9 in	Space legs top	152 cm // 59,9 in
Tube size	Ø40 mm // 1,6 in	Length	160 cm // 63 in	TT* thickness	6 cm // 2,5 in	Diameter	N/A
Slats used	6 pcs	Height	110 cm // 43,3 in	Space legs floor	152 cm // 59,9 in	Bar height	28 cm // 10,9 in

TRAY TABLES

OUTDOOR & INDOOR LOUNGE

EYELET

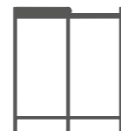
This graphically beautiful side table can be used in many different ways – individually or in combination with different sizes and colors. The EYELET tables are easy to move to where they are needed – indoor as well as outdoor. The EYELET tray table has a special drain system, which keeps the tray free from water after a rain shower. EYELET is made in powder coated aluminum with powder coated steel legs and comes in 3 different sizes.

Designed by Henrik Pedersen.

EDGE

EDGE tray table is suitable for both indoor and outdoor use. The half ring shaped handle makes it easy to move the table between the living room and the garden, and when laid down it functions as a table edge, making sure everything stays in place. EDGE is made in powder coated steel and comes in 3 different sizes.

Designed by Rooe Magdassi.



2 year warranty



uv protected



weather resistant



90

TRAY TABLES

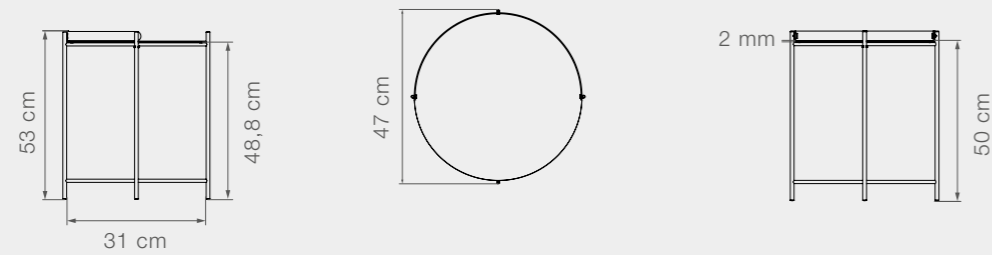
LOUNGE SPECIFICATIONS

DESCRIPTION

Powder coated black steel construction
Powder coated steel table top

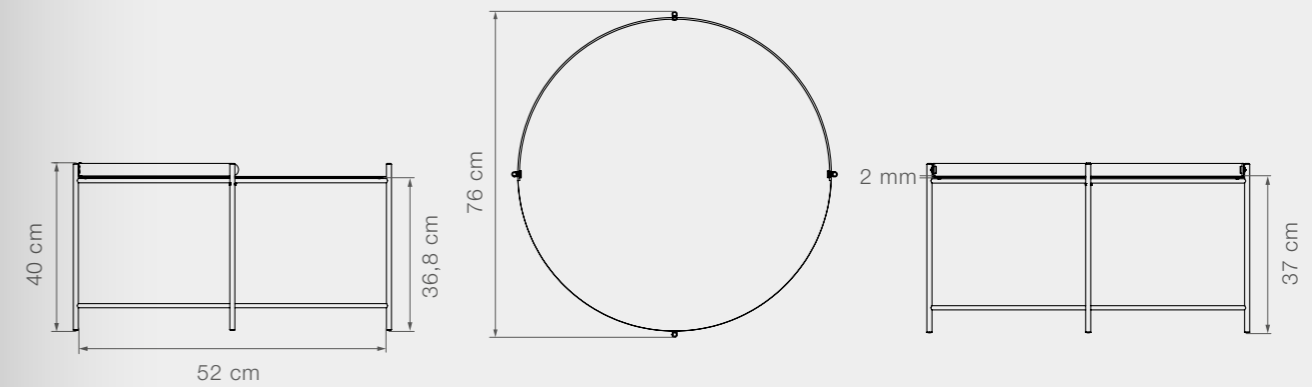
*TT = TableTop

EDGE Tray table



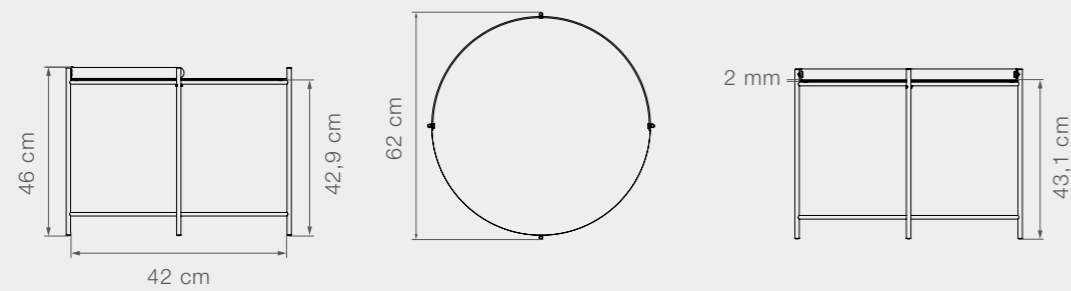
Product weight	4,3 kg // 9,5 lbs	Width	Ø47 cm // 18,4 in	Height under TT*	48,8 cm // 19,2 in	Space legs top	31 cm // 12,2 in
Tube size	Ø12 mm // 0,5 in	Depth	Ø47 cm // 18,4 in	TT* thickness	2 mm // 0,1 in	Diameter	47 cm // 18,4 in
Slats used	N/A	Height	50/53 cm // 19,7/21 in	Space legs floor	31 cm // 12,2 in		

EDGE Tray table



Product weight	11 kg // 24,3 lbs	Width	Ø76 cm // 29,8 in	Height under TT*	36,8 cm // 14,5 in	Space legs top	52 cm // 20,3 in
Tube size	Ø12 mm // 0,5 in	Depth	Ø76 cm // 29,8 in	TT* thickness	2 mm // 0,1 in	Diameter	76 cm // 29,8 in
Slats used	N/A	Height	37/40 cm // 14,6/15,7 in	Space legs floor	52 cm // 20,3 in		

EDGE Tray table



Product weight	7,2 kg // 19,9 lbs	Width	Ø61 cm // 23,8 in	Height under TT*	42,9 cm // 16,9 in	Space legs top	42 cm // 16,4 in
Tube size	Ø12 mm // 0,5 in	Depth	Ø62 cm // 24,3 in	TT* thickness	2 mm // 0,1 in	Diameter	62 cm // 24,3 in
Slats used	N/A	Height	43,1/46 cm // 17/18,1 in	Space legs floor	42 cm // 16,4 in		

TRAY TABLES

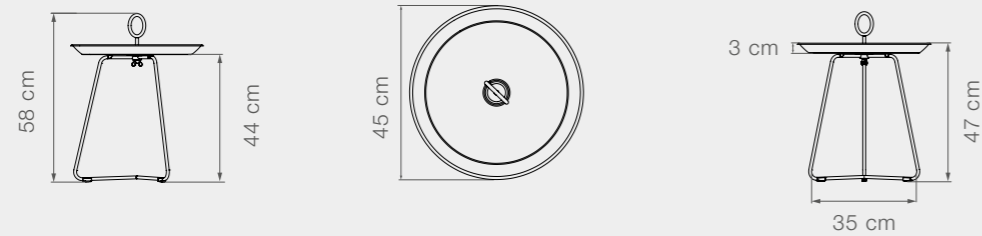
LOUNGE SPECIFICATIONS

Powder coated black steel construction

Powder coated aluminum table top

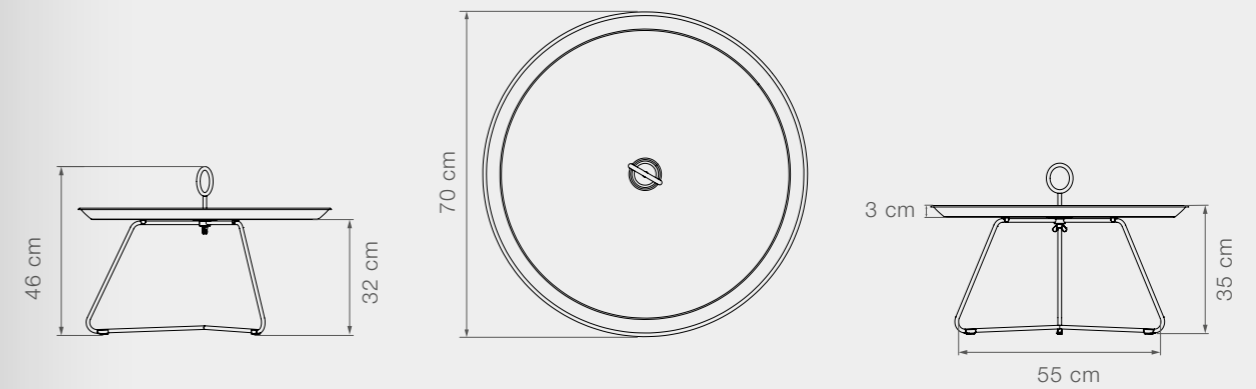
*TT = TableTop

EYELET Tray table



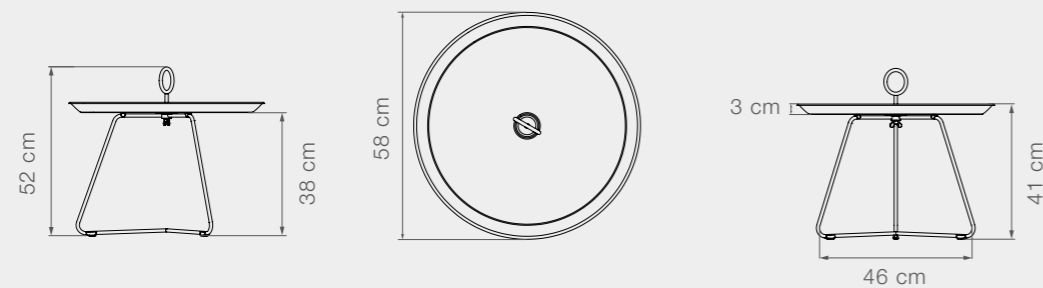
Product weight	2,3 kg // 5,1 lbs	Width	Ø45 cm // 17,7 in	Height under TT*	44 cm // 17,3 in	Space legs top	N/A
Tube size	Ø10 mm // 0,4 in	Depth	Ø45 cm // 17,7 in	TT* thickness	3 cm // 1,2 in	Diameter	45 cm // 17,7 in
Slats used	N/A	Height	47/58 cm // 18,3/22,6 in	Space legs floor	35 cm // 13,9 in		

EYELET Tray table



Product weight	4 kg // 8,8 lbs	Width	Ø70 cm // 27,6 in	Height under TT*	32 cm // 12,5 in	Space legs top	N/A
Tube size	Ø10 mm // 0,4 in	Depth	Ø70 cm // 27,6 in	TT* thickness	3 cm // 1,2 in	Diameter	70 cm // 27,6 in
Slats used	N/A	Height	35/46 cm // 13,8/18,3 in	Space legs floor	55 cm // 21,5 in		

EYELET Tray table



Product weight	2,9 kg // 6,4 lbs	Width	Ø58 cm // 22,7 in	Height under TT*	38 cm // 14,8 in	Space legs top	N/A
Tube size	Ø10 mm // 0,4 in	Depth	Ø58 cm // 22,7 in	TT* thickness	3 cm // 1,2 in	Diameter	58 cm // 22,7 in
Slats used	N/A	Height	41/52 cm // 16,1/20,4 in	Space legs floor	46 cm // 18,1 in		

94

LEVEL

OUTDOOR LOUNGE

A collection of modular outdoor lounge furniture with powder coated aluminum frame, cushions in water repellent fabric and bamboo side tables.

The lightweight frame combined with the soft cushions create both contrast and comfort. The modules can be combined in many different ways and will entice you into a relaxed atmosphere.

LEVEL comes with 3 different fabric types, Basic, Sunbrella Natte fabric and Sunbrella Heritage fabric. Read more about these fabrics on page 110.

Designed by Henrik Pedersen.



2

2 year
warranty



uv
protected



weather
resistant



96

DESCRIPTION

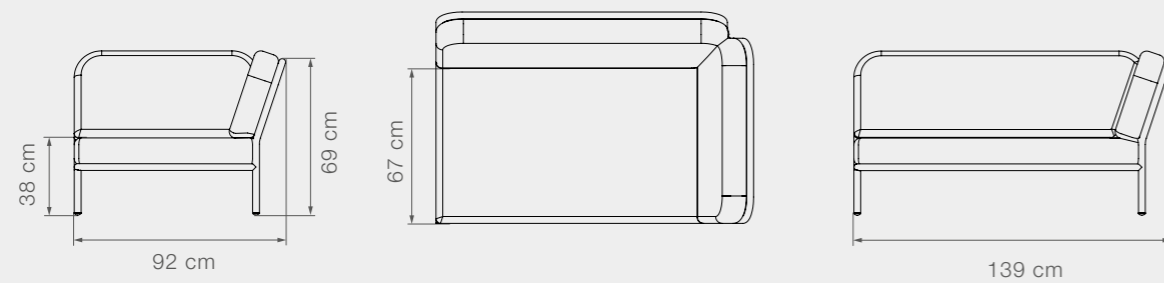
LEVEL

LOUNGE SPECIFICATIONS

Powder coated grey aluminum frame

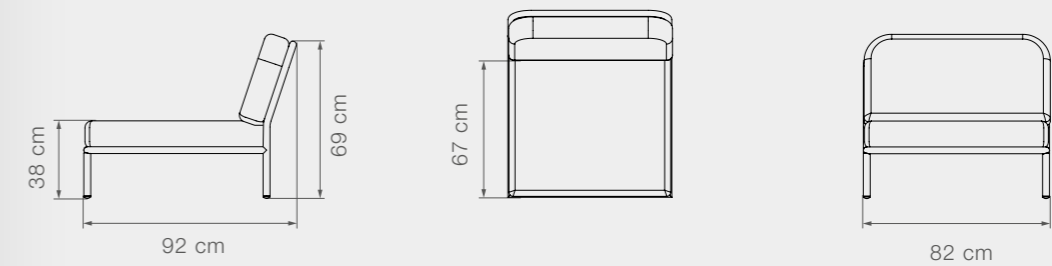
Cushions in basic dark grey fabric or Sunbrella fabric in different colors

LEVEL Right sofa



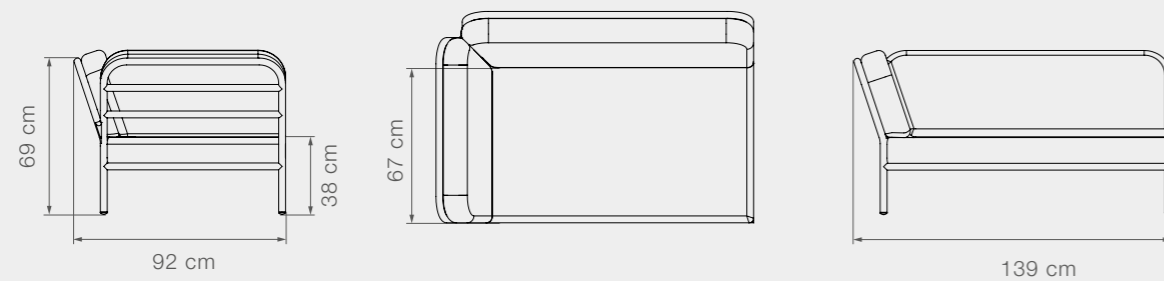
Product weight	19,1 kg // 42,1 lbs	Width	139 cm // 54,6 in	Seat width w. cushion	114 cm // 44,9 in	Diameter	162 cm // 63,8 in
Tube size	Ø30 mm // 1,2 in	Depth	92 cm // 36,2 in	Seat depth w. cushion	67 cm // 26,4 in	Piling test	ISO 12947-2 min. 22.000
Tube size	1,5x7 cm // 0,6x2,8 in	Height	69 cm // 27,2 in	Seat height w. cushion	38 cm // 15 in	Spray test	ISO 4900 Class 5

LEVEL Lounge chair



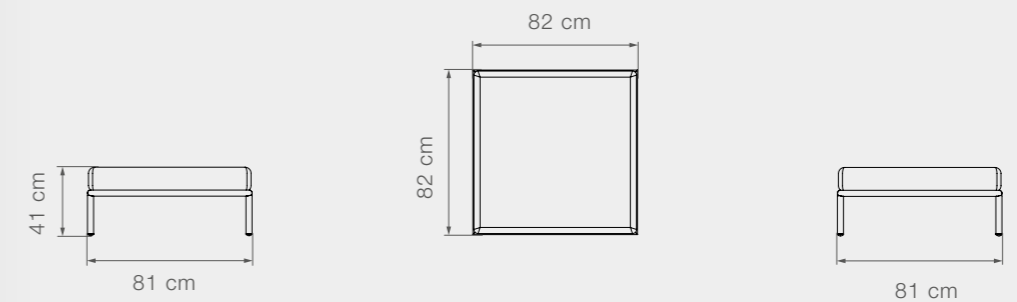
Product weight	10,8 kg // 23,8 lbs	Width	82 cm // 32,1 in	Seat width w. cushion	80 cm // 31,5 in	Diameter	120 cm // 47,4 in
Tube size	Ø30 mm // 1,2 in	Depth	92 cm // 36,2 in	Seat depth w. cushion	67 cm // 26,4 in	Piling test	ISO 12947-2 min. 22.000
Tube size	1,5x7 cm // 0,6x2,8 in	Height	69 cm // 27,2 in	Seat height w. cushion	38 cm // 15 in	Spray test	ISO 4900 Class 5

LEVEL Left sofa



Product weight	19,1 kg // 42,1 lbs	Width	139 cm // 54,6 in	Seat width w. cushion	114 cm // 44,9 in	Diameter	162 cm // 63,8 in
Tube size	Ø30 mm // 1,2 in	Depth	92 cm // 36,2 in	Seat depth w. cushion	67 cm // 26,4 in	Piling test	ISO 12947-2 min. 22.000
Tube size	1,5x7 cm // 0,6x2,8 in	Height	69 cm // 27,2 in	Seat height w. cushion	38 cm // 15 in	Spray test	ISO 4900 Class 5

LEVEL Ottoman



Product weight	19,1 kg // 42,1 lbs	Width	81 cm // 31,9 in	Seat width w. cushion	82 cm // 32,3 in	Diameter	114 cm // 44,9 in
Tube size	Ø30 mm // 1,2 in	Depth	81 cm // 31,9 in	Seat depth w. cushion	82 cm // 32,3 in	Piling test	ISO 12947-2 min. 22.000
Tube size	1,5x7 cm // 0,6x2,8 in	Height	22 cm // 8,7 in	Seat height w. cushion	41 cm // 15 in	Spray test	ISO 4900 Class 5

98

LEVEL

LOUNGE SPECIFICATIONS



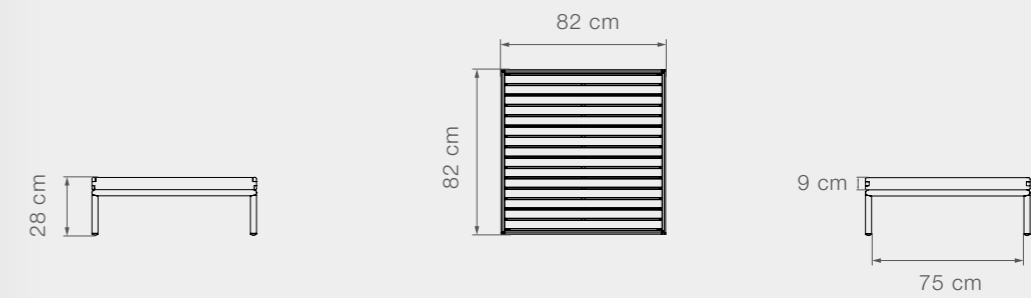
DESCRIPTION

Powder coated grey aluminum construction

Bamboo table top

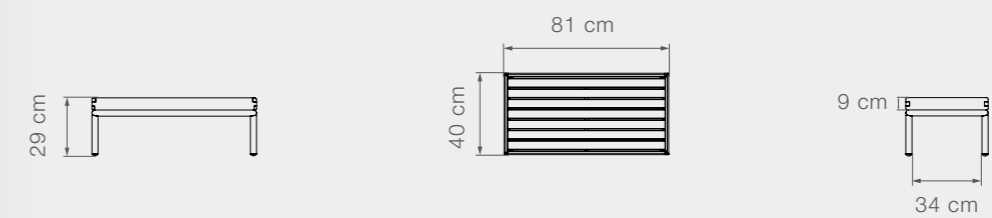
*TT = TableTop

LEVEL Coffee table



Product weight	12,7 kg // 28 lbs	Width	82 cm // 32,3 in	Height under TT*	19 cm // 7,5 in	Space legs top	75 cm // 29,5 in
Tube size	Ø30 mm // 1,2 in	Depth	82 cm // 32,3 in	TT* thickness	9 cm // 3,5 in	Diameter	114 cm // 44,9 in
Tube size	1,5x7 cm // 0,6x2,8 in	Height	28 cm // 11 in	Space legs floor	75 cm // 29,5 in	Slats used	15

LEVEL Side table



Product weight	19,1 kg // 42,1 lbs	Width	40 cm // 32,3 in	Height under TT*	20 cm // 7,9 in	Space legs top	34 cm // 13,4 in
Tube size	Ø30 mm // 1,2 in	Depth	81 cm // 32,3 in	TT* thickness	9 cm // 3,5 in	Diameter	114 cm // 44,9 in
Tube size	1,5x7 cm // 0,6x2,8 in	Height	29 cm // 11 in	Space legs floor	34 cm // 13,4 in	Slats used	7

100

AVON

OUTDOOR LOUNGE

A lounge collection with a frame in powder coated black steel and soft cushions in Sunbrella fabric. The tabletop is made of thermo ash.

The AVON collection was designed with focus on creating a lounge collection with a very light appearance and a low sleek profile, while maintaining a high level of comfort. The simplicity of the frame, where low lines ensure, that the design always appears stylish, with and without cushions – summer or winter.

The handle of the cushions is a statement. It also adds to the function of the product, making them easy to grab and store if needed.

Designed by Henrik Pedersen.



2 year
warranty



uv
protected



weather
resistant



102

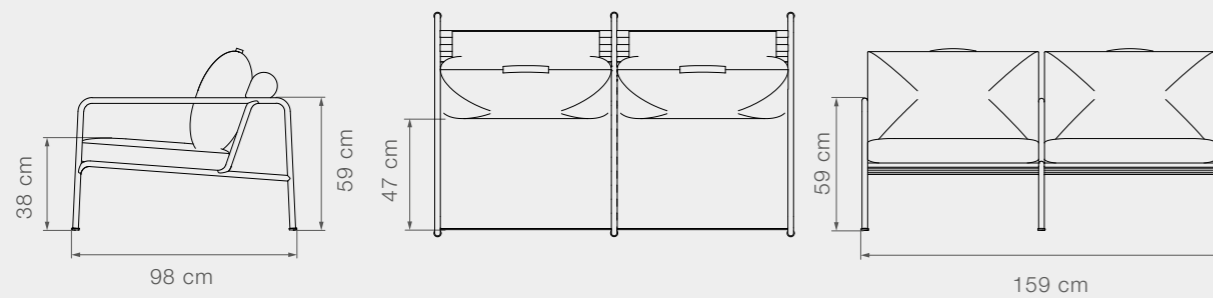
DESCRIPTION

AVON

LOUNGE SPECIFICATIONS

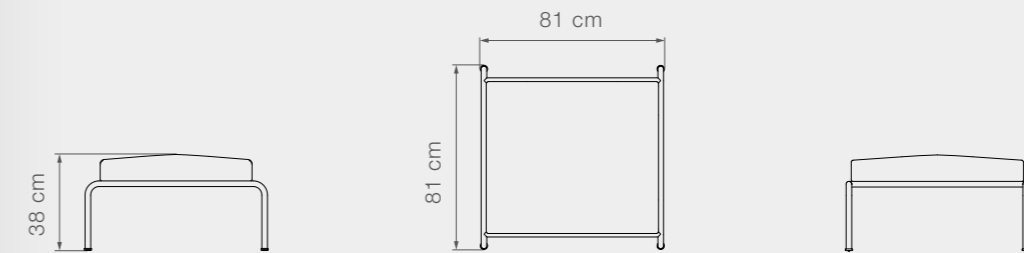
Powder coated black steel frame
Cushions in Sunbrella fabric in different colors

AVON 2 seater sofa



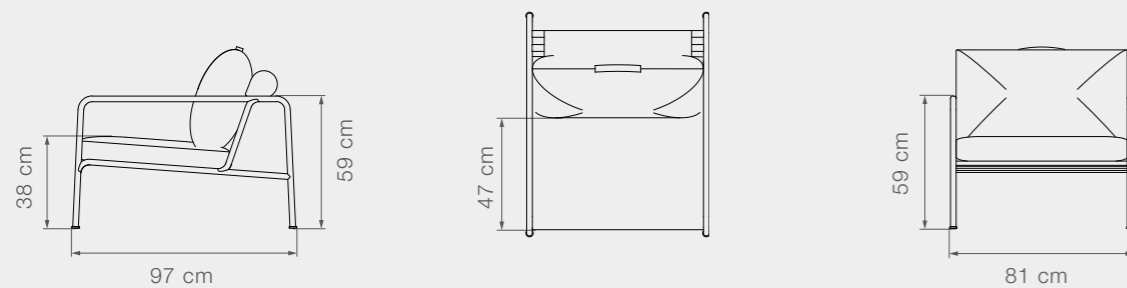
Product weight	32,3 kg // 71,2 lbs	Width	159 cm // 62,6 in	Seat width w. cushion	153 cm // 60,2 in	Diameter	186 cm // 73,3 in
Tube size	Ø25 mm // 1 in	Depth	98 cm // 38,6 in	Seat depth w. cushion	47 cm // 18,5 in	Piling test	ISO 12947-2 min. 22.000
Armrest height	59 cm // 23 in	Height	59 cm // 23 in	Seat height w. cushion	38 cm // 15 in	Spray test	ISO 4900 Class 5

AVON Ottoman



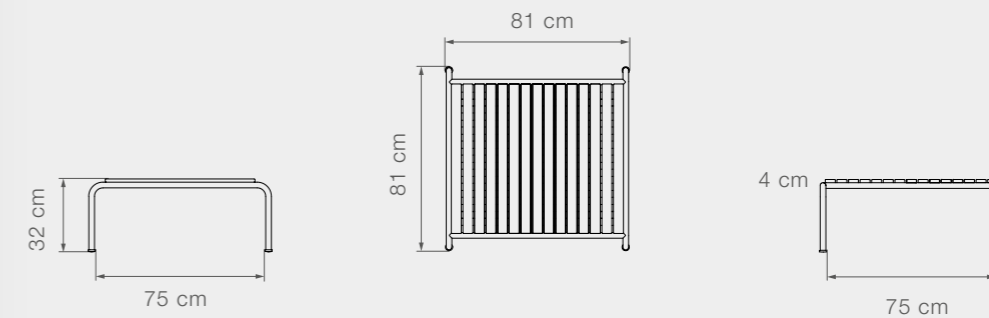
Product weight	10,4 kg // 22,9 lbs	Width	81 cm // 31,7 in	Seat width w. cushion	76 cm // 29,7 in	Diameter	113 cm // 44,6 in
Tube size	Ø25 mm // 1 in	Depth	81 cm // 31,7 in	Seat depth w. cushion	77 cm // 30,3 in	Piling test	ISO 12947-2 min. 22.000
Slats used	N/A	Height	30 cm // 11,8 in	Seat height w. cushion	38 cm // 15 in	Spray test	ISO 4900 Class 5

AVON Lounge chair



Product weight	18 kg // 39,7 lbs	Width	81 cm // 31,9 in	Seat width w. cushion	153 cm // 60,2 in	Diameter	127 cm // 49,9 in
Tube size	Ø25 mm // 1 in	Depth	97 cm // 38,2 in	Seat depth w. cushion	47 cm // 18,5 in	Piling test	ISO 12947-2 min. 22.000
Armrest height	59 cm // 23 in	Height	59 cm // 23 in	Seat height w. cushion	38 cm // 15 in	Spray test	ISO 4900 Class 5

AVON Lounge table



Product weight	14,6 kg // 32,2 lbs	Width	81 cm // 31,7 in	Height under TT*	28 cm // 10,8 in	Space legs top	75 cm // 29,5 in
Tube size	Ø25 mm // 1 in	Depth	81 cm // 31,7 in	TT* thickness	4 cm // 1,6 in	Diameter	114 cm // 44,7 in
Slats used	N/A	Height	32 cm // 12,6 in	Space legs floor	75 cm // 29,5 in		

104

AVON

LOUNGE SPECIFICATIONS

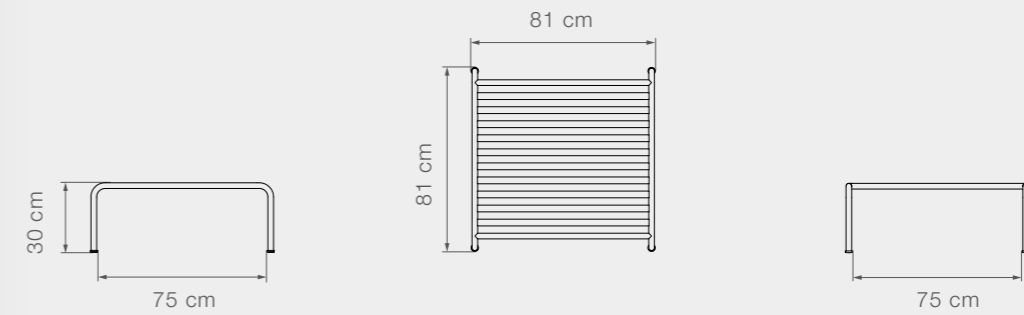
DESCRIPTION

Powder coated black steel frame
Cushions in Sunbrella fabric in different colors

*TT = TableTop



AVON Base



Product weight	8,2 kg // 18,1 lbs	Width	81 cm // 31,7 in	Height under TT*	28 cm // 10,8 in	Space legs top	75 cm // 29,5 in
Tube size	Ø25 mm // 1 in	Depth	81 cm // 31,7 in	TT* thickness	N/A	Diameter	114 cm // 44,7 in
Tube size	3x1 cm // 1,2x0,4 in	Height	30 cm // 11,8 in	Space legs floor	75 cm // 29,5 in		

106

MOLO

OUTDOOR LOUNGE

A Sunbed with soft rounded bamboo lamellas and a leg construction in powder coated black steel.

The back of the MOLO Sunbed is adjustable with five different positions, which makes it possible to either lay down or sit.

MOLO is versatile and can be used as a daybed too.

Designed by Henrik Pedersen



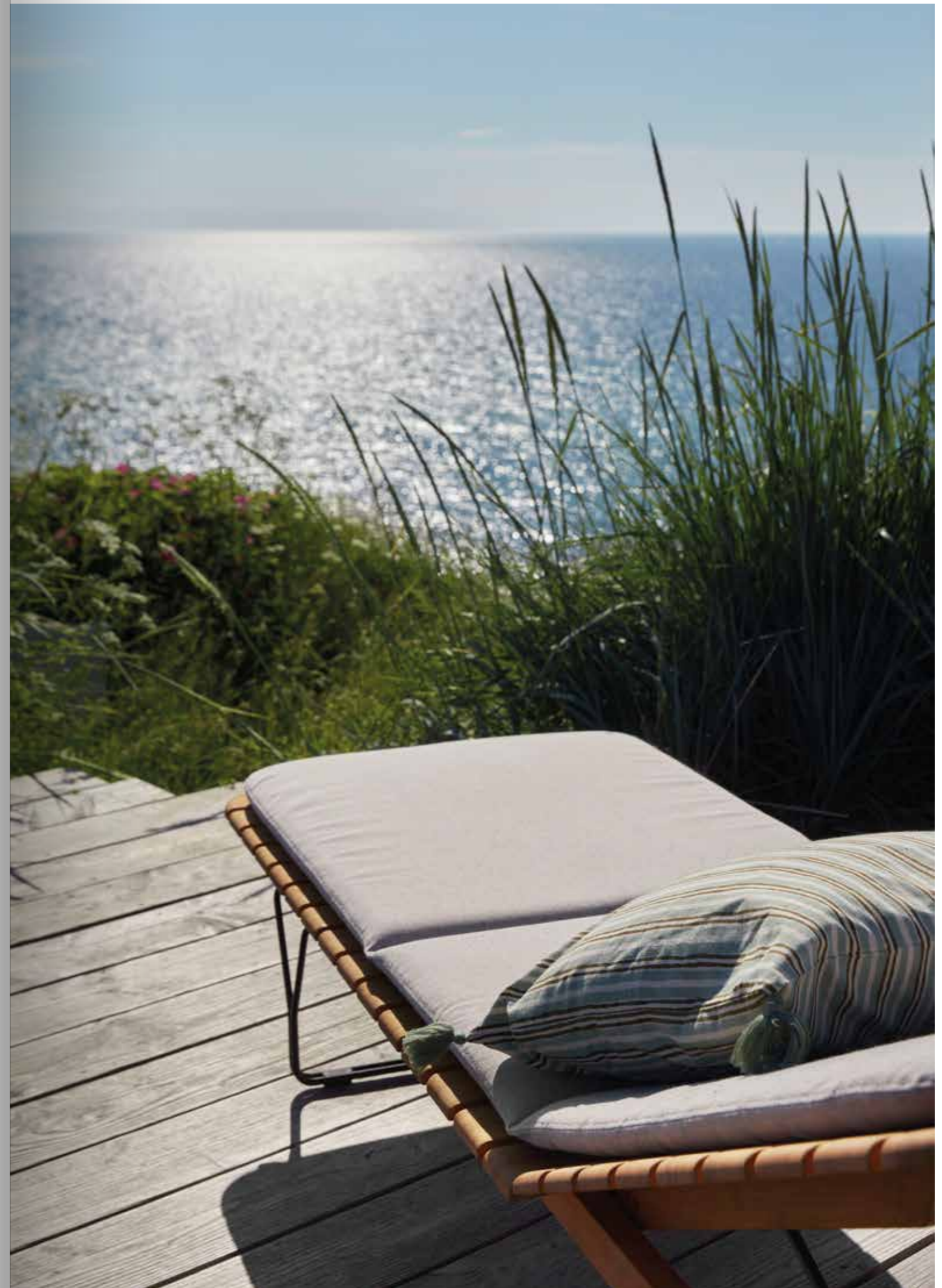
2 year
warranty



uv
protected



weather
resistant



108

MOLO

LOUNGE SPECIFICATIONS

DESCRIPTION

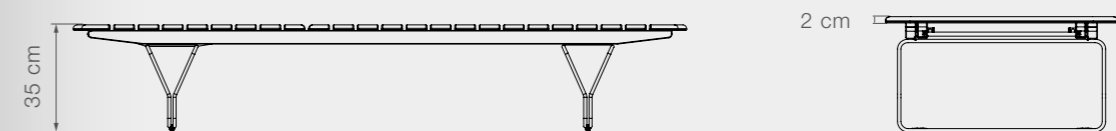
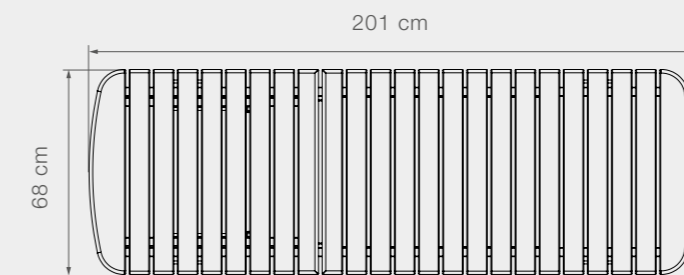
Sunbed with 5 positions

Bamboo lamellas
Powder coated black steel leg construction

Cushions in Sunbrella fabric
in different colors



MOLO Sunbed



Product weight	26 kg // 57,3 lbs	Width	68 cm // 26,8 in	Seat width w. cushion	64 cm // 25,2 in	Diameter	203 cm // 80 in
Tube size	Ø10 mm // 0,4 in	Length	201 cm // 79,3 in	Seat depth w. cushion	124 cm // 48,8 in	Piling test	ISO 12947-2 min. 22.000
Slats used	24 pcs	Height	35 cm // 13,6 in	Seat height w. cushion	39 cm // 15,4 in	Spray test	ISO 4900 Class 5

110

MATERIALS

OUTDOOR DINING & LOUNGE

FABRIC

SUNBRELLA HERITAGE

The Sunbrella Heritage fabric contains 50% recycled Sunbrella acrylic, 47% acrylic and 3% polyester.

Colorful fibre ends from the process of reusing the primary material may appear in the weave and vary the fabric color from one batch to another. This creates a unique fabric with a natural look and vintage charm. The fabric is OEKO-TEX® certified, water repellent, stain proof and easy to maintain.

SUNBRELLA NATTÉ

The Natte fabric is water and stain resistant and made of 100% acrylic.

BASIC

The Basic fabric is water and stain resistant and made of 100% polyester

MATERIALS

THERMO ASH

Our thermo ash is sourced from sustainably managed European forests (FSC® – FSC C153404) and is thermally treated at a temperature of at least 215°C without the addition of chemical substances, using steam to prevent splitting and cracking. This treatment gives the ash wood its impressive durability and prevents the growth of fungi and moulds.

The heat treatment of the ash wood makes the natural properties change and turns the color into a rich and warm brown color. The color of the lamellas on the AVON table top might vary slightly. This is due to the thermal process.

Over time Thermo ash develops an even grey patina due to the effects of wind and weather. To keep or to regain the warm brown color, just sand the surface and provide it with an oil suitable for wooden outdoor furniture. We recommend, to treat the Thermo ash with oil on a regular basis (3-4 times a year).

BAMBOO

Bamboo is a material that needs to be taken care of in order to maintain a rich and beautiful surface for many years. The natural material has a very hard surface, but it also becomes porous if left to dry out.

Therefore, we recommend the bamboo to be treated with oil suitable for outdoor furniture on a regular basis (3-4 times a year).



20 22

HOUE

HOUE ApS
Rodelundvej 4A · 8680 Ry · Denmark
info@houe.com

USA INC · 7418 Washington Ave · Racine, WI 53406 · USA
salesus@houe.com

